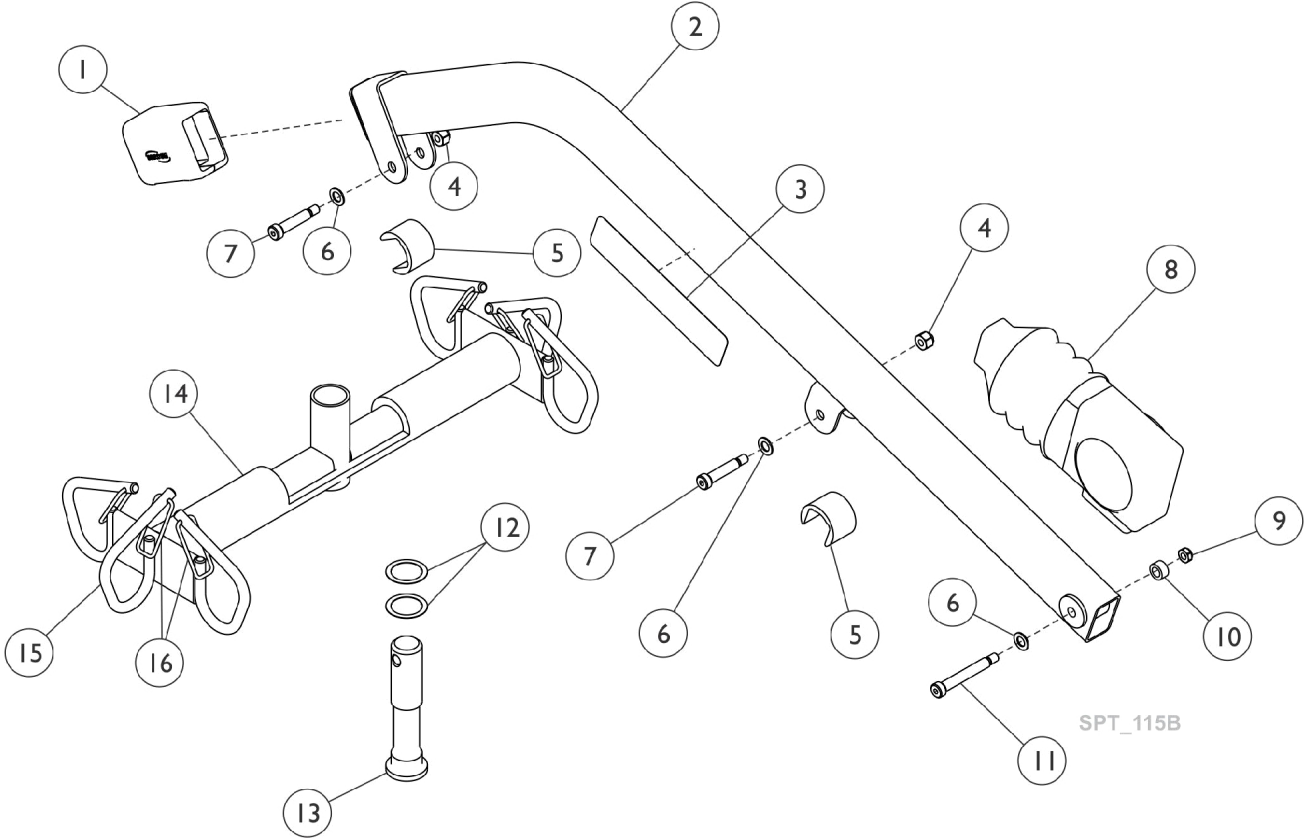


# Boom Assembly - RPL450-2



## Boom Assembly - RPL450-2

Item Number	Note	Part Number	Description	Quantity Per	
				Package	Assembly
1	B	1078983-NLA	NLA - Tube Cover with Internal End Cap Assembly	1	1
1	C	1152114	Tube Cover with Internal End Cap Assembly	1	1
2	A	1078297	Boom, RPL/ RPA, Electric	1	1
3		1068065	Decal - Reliant 450 Lift	1	1
4		1064267	Locknut (5/16-18)	1	3
5		1064269	Guard, Finger	1	2
6		1065214	Washer, Flat (3/8 x 11/16 x 1/16")	1	3
7		1031665	Screw, Shoulder Hex Socket Head (3/8 x 1-1/2", 5/16-18)	1	2
8		1063234	Boot	1	1
9		1028769	Locknut (5/16-18)	1	1
10		1129466	Spacer (3/8 x 5/8 x 11/32")	1	1
11		1129465	Screw, Shoulder Hex Socket Head (3/8 x 2-1/4", 5/16-18)	1	1
12		1064338	Washer, Nylon (1-9/64 x 1-1/2 x 1/64")	1	2
13		1064339	Pin, Hanger	1	1
14		1070969	Bar, Pad	1	1
15		1132035	Bar, Hanger	1	1
16		1147501	Kit, Latch - Hanger Bar	1	1
			Package, Latch	6	1

NOTE: A - As of 11/17/08 the U Bracket that supports the hanger bar is now welded around the boom instead of under the boom and is backward compatible to lifts manufactured before 11/17/08.  
 B - Used before 11/17/08.  
 C - Used after 11/16/08.