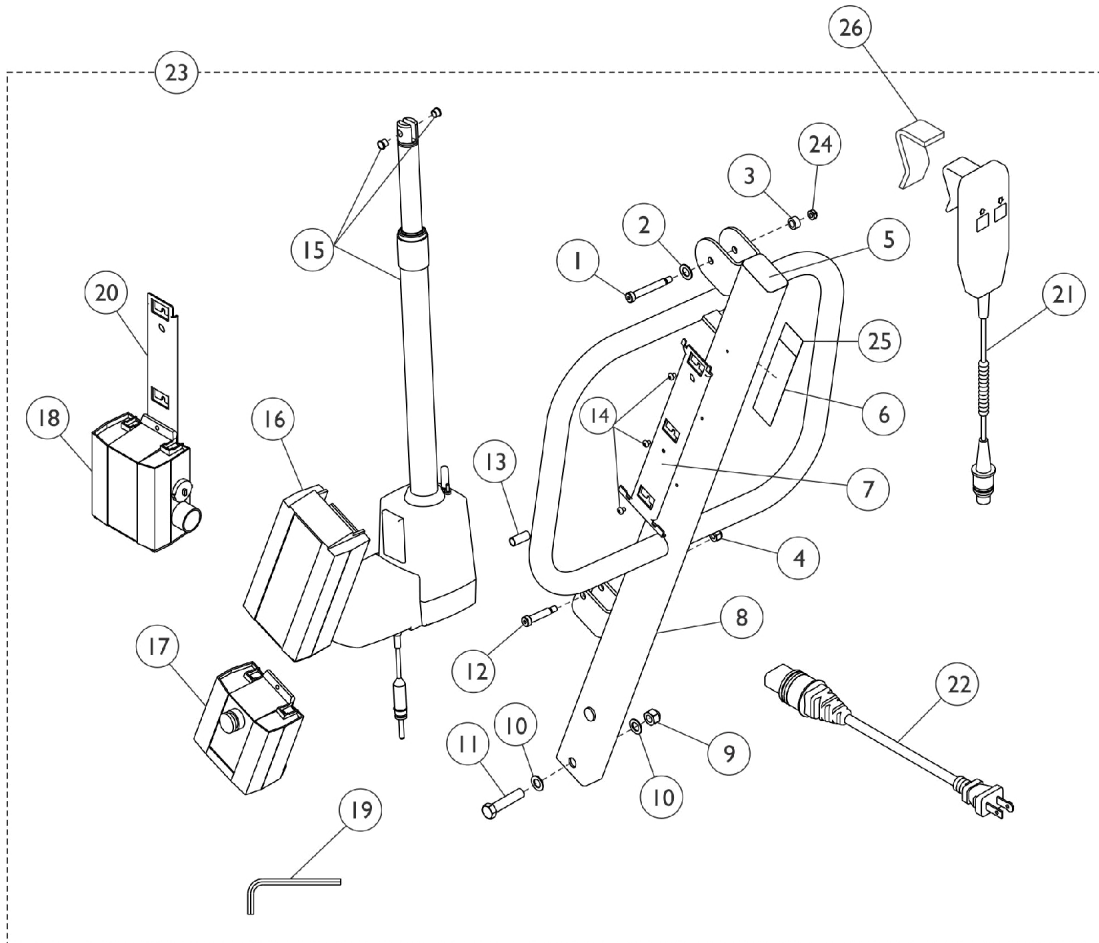


# Mast Assembly

## Model - RPL600-1



SPT\_117A

# Mast Assembly

## Model - RPL600-1

Item Number	Note	Part Number	Description	Quantity Per	
				Package	Assembly
1		1064454	Screw, Shoulder Hex Socket (3/8 x 2", 5/16-18)	1	1
2		1065214	Washer, Flat (3/8 x 11/16 x 1/16")	1	1
3		1129466	Spacer (3/8 x 5/8 x 11/32")	1	1
4	C	1064267	Locknut (5/16-18)	1	2
5		1065361	Cap, End, Black (1-1/2 x 2-1/2")	1	1
6		1070965-NLA	NLA - Label, Lift Warning/Operation - USA	1	1
7		1078284	Bracket, Battery - Electric Only	1	1
8		1079045	Mast	1	1
9		1078981	Locknut (1/2-13)	1	1
10		1026174	Washer (1/2 x 7/8 x 3/64")	1	2
11		1078979	Screw, Hex Head (1/2-13 x 2-1/4")	1	1
12		1031665	Screw, Shoulder Hex Socket Head (3/8 x 1-1/2", 5/16-18)	1	1
13		1064443	Bushing (3/8 x 15/32 x 1-3/32")	1	1
14		1078980	Screw, Phillips Pan Head (#10-24 x 1/4")	1	3
15	E,F	60126449	Actuator Motor w/ Bushings	1	1
	B	1133691	Package, Emergency Pull Pin	10	1
16		1078276	Battery Pack, Linak	1	1
17		1078275	Controller - Electric Only	1	1
18	G	1078274	Charger, Electric Only w/o Power Cord	1	1
19		10369X000-NLA	NLA - Wrench, Allen (3/16")	1	1
20		1078306	Bracket, Wall Mount Charger	1	1
21	D	1177604	Pendant, Two Channel w/ Hook	1	1
22		1079133	Cord, Power, USA	1	1
23	A	1082596-NLA	NLA - Kit, Mast & Boom	1	1
24	C	1028769	Locknut (5/16-18)	1	1
25		1130236-NLA	NLA - Kit, Label Warning - Bolt Mast w/Instruction - 600 Lift (Spanish)	1	1
			Sheet, Label 600 Lift (Spanish)	1	1
			Instruction Sheet, Label Kit (Spanish)	1	1
25		1130235-NLA	NLA - Kit, Label Warning - Bolt Mast w/Instruction - 600 Lift (French/Canadian)	1	1
			Sheet, Label 600 Lift (French/Canadian)	1	1
			Instruction Sheet, Label Kit (French/Canadian)	1	1
26	D	1161593	Package, Rubber Clip	10	1

NOTE: A - For Boom Assembly see section titled "Boom Assembly RPL600-1."  
 B - Not Shown. On 3/19/2010, the pull pin was replaced with a pull grip that is not serviceable.  
 C - After 8/21/06 the quantity for Locknut 1064267 item 3 changed to Qty 1 for the Mast Assembly. Locknut 1028769 Item 24 was added to the Mast Assembly.  
 D - 1161593 should slip over Clip on Handset to provide stable positioning for Handset.  
 E - As of 3/19/2010, the pull pin changed to a pull grip.  
 F - Part #1078273 Actuator Motor is No Longer Available and replaced with part #60126449 Actuator Motor that now includes press-fitted Bushings.  
 G - Power Cord not included with Charger.