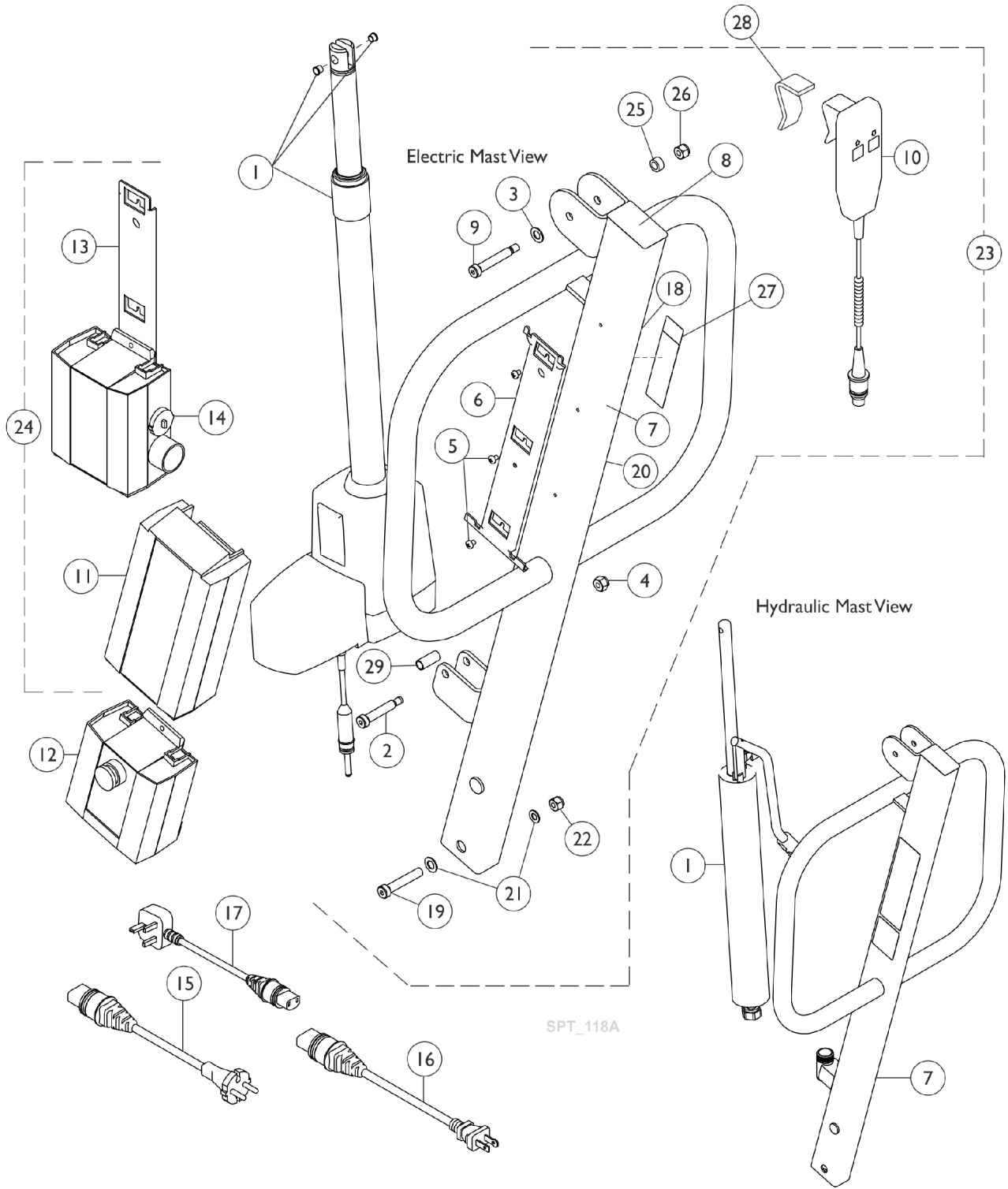


Mast Assembly

Model - RPL/ RPA 450-1 and RHL/ RHA 450-1



Mast Assembly

Model - RPL/ RPA 450-1 and RHL/ RHA 450-1

Item Number	Note	Part Number	Description	Quantity Per	
				Package	Assembly
1	K	60126449	Actuator Motor w/ Bushings	1	1
1		9099-NLA	NLA - Pump	1	1
1		9099R-NLA	NLA - Pump, Hydraulic	1	1
1		9099P	Pump, Hydraulic	1	1
2	A	1031665	Screw, Shoulder Hex Socket Head (3/8 x 1-1/2", 5/16-18)	1	3
3	A	1065214	Washer, Flat (3/8 x 11/16 x 1/16")	1	1
4	G	1064267	Locknut (5/16-18)	1	1
5		1078980	Screw, Phillips Pan Head (#10-24 x 1/4")	1	3
6	D	1078284	Bracket, Battery - Electric Only	1	1
7		1078292	Mast, Electric	1	1
7		1078310	Mast, Hydraulic	1	1
8		1065361	Cap, End, Black (1-1/2 x 2-1/2")	1	1
9		1129465	Screw, Shoulder Hex Socket Head (3/8 x 2-1/4", 5/16-18)	1	1
10	H	1177604	Pendant, Two Channel w/ Hook	1	1
11	D	1078276	Battery Pack, Linak	1	1
12	D	1078275	Controller - Electric Only	1	1
13	D	1078306	Bracket, Wall Mount Charger	1	1
14	D,L	1078274	Charger, Electric Only w/o Power Cord	1	1
15	D	1079135-NLA	NLA - Cord, European - Electric Only	1	1
16	D	1079133	Cord, Power, USA	1	1
17	D	1079134-NLA	NLA - Cord, UK - Electric Only	1	1
18		1073698-NLA	Label, Warning, Lift, 450 Pound Capacity	1	1
18		1073703-NLA	NLA - Label, Warning, Reliant 450 Lift - Hydraulic Only	1	1
19		1078979	Screw, Hex Head (1/2-13 x 2-1/4")	1	1
20		1075653	Label, CE Marking	1	1
21		1026174	Washer (1/2 x 7/8 x 3/64")	1	2
22		1078981	Locknut (1/2-13)	1	1
23	B	1082594	Kit, Mast & Boom - Electric	1	1
23	F	1082595-NLA	NLA - Kit, Mast & Boom - Hydraulic	1	1
24	E	1079815	Kit, Charger - USA Only	1	1
11			Battery Pack, Linak	1	1
13			Bracket, Wall Mount Charger	1	1
14			Charger, Electric Only w/o Power Cord	1	1
16			Cord, Power, USA	1	1
25		1129466	Spacer (3/8 x 5/8 x 11/32")	1	1
26	G	1028769	Locknut (5/16-18)	1	1
27	C	1130234-NLA	NLA - Kit, Label Warning - Bolt Mast w/Instruction - 450 Lift (Spanish)	1	1
			Sheet, Label 450 Lift (Spanish)	1	1
			Instruction Sheet, Label Kit (Spanish)	1	1
27	C	1130233	NLA - Kit, Label Warning - Bolt Mast w/Instruction - 450 Lift (French/Canadian)	1	1
			Sheet, Label 450 Lift (French-Canadian)	1	1
			Instruction Sheet, Label Kit (French/Canadian)	1	1

Mast Assembly

Model - RPL/ RPA 450-1 and RHL/ RHA 450-1

Item Number	Note	Part Number	Description	Quantity Per	
				Package	Assembly
28	H	1161593	Package, Rubber Clip	10	1
	C,D,I	1165876	Mast Assembly w/ Attaching Hardware	1	1
2			Screw, Shoulder Hex Socket Head (3/8 x 1-1/2", 5/16-18)	1	1
3			Washer, Flat (3/8 x 11/16 x 1/16")	1	1
4			Locknut (5/16-18)	1	1
5			Screw, Phillips Pan Head (#10-24 x 1/4")	1	3
6			Bracket, Battery - Electric Only	1	1
7			Mast, Electric	1	1
8			Cap, End, Black (1-1/2 x 2-1/2")	1	1
9			Screw, Shoulder Hex Socket Head (3/8 x 2-1/4", 5/16-18)	1	1
18			Label, Warning, Lift, 450 Pound Capacity	1	1
19			Screw, Hex Head (1/2-13 x 2-1/4")	1	1
20			Label, CE Marking	1	1
21			Washer (1/2 x 7/8 x 3/64")	1	2
22			Locknut (1/2-13)	1	1
25			Spacer (3/8 x 5/8 x 11/32")	1	1
26			Locknut (5/16-18)	1	1
29			Bushing (3/8 x 15/32 x 1-3/32")	1	1
			Label, Year of Manufacture	1	1
			Label, Warning Bolt Mast	1	1
			Insert, Carton	1	5
			Insert, Carton	1	1
			Carton	1	1
	C	1133691	Package, Emergency Pull Pin	10	1
	C	10369X000-NLA	NLA - Wrench, Allen (3/16")	1	1
	C,D	1083039-NLA	NLA - Cover, Actuator, Padded with Instructions (Electric Lifts Only)	1	1
	C,D	1079656-NLA	NLA - Label, Warning - EUR	1	1

NOTE: A - After 3/99 it has been determined part number 1025704 is no longer required in the Mast to Actuator Assembly.
 B - This item does not include items 16 & 18; these items are not needed in the U.S.
 C - Not Shown. On 3/19/2010, the pull pin was replaced with a pull grip that is not serviceable.
 D - Electric Only.
 E - Includes items 11, 13, 14, and 16.
 F - Excludes item 7 (Electric Mast) and 11 - 18.
 G - After 8/21/06 the quantity for Locknut 1064267 item 4 changed to Qty 1 for the Mast Assembly. Locknut 1028769 Item 28 was added to the Mast Assembly.
 H - Slip over Clip on Handset to provide stable positioning for Handset.
 I - Includes items 2, 3-9, 18, 19, 20, 21, 22, 25, 26, 29, Labels, and Cartons.
 K - Part #1078273 Actuator Motor is No Longer Available and replaced with part #60126449 Actuator Motor that now includes press-fitted Bushings.
 L - Power Cord not included with Charger.