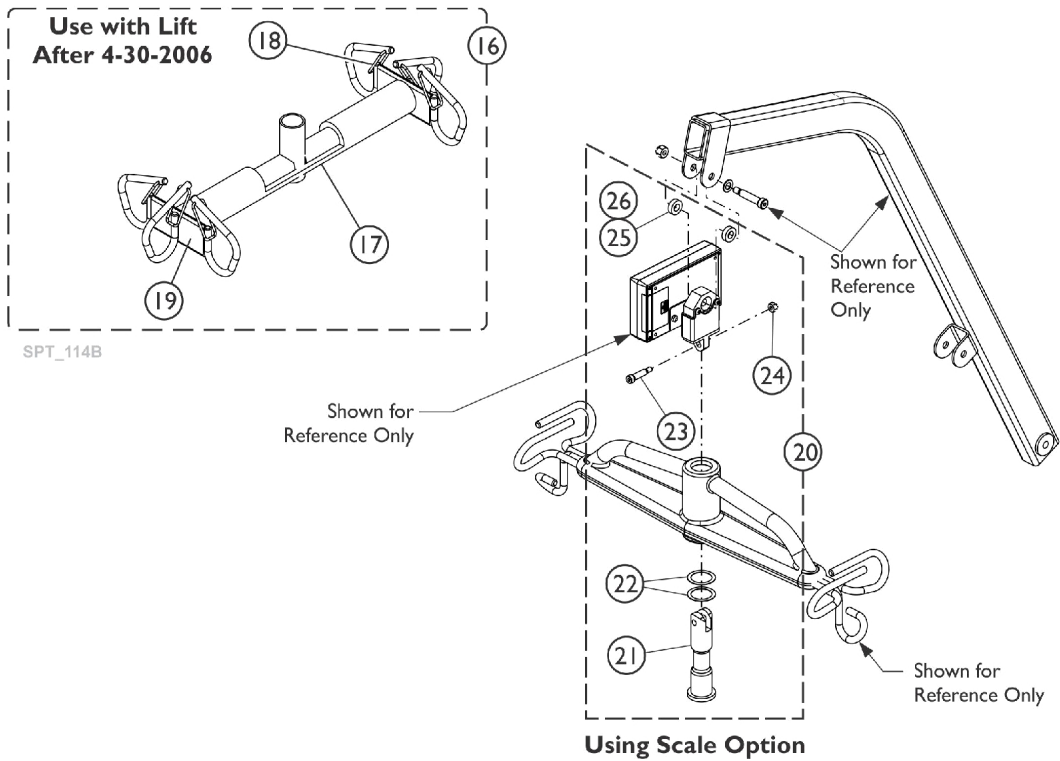
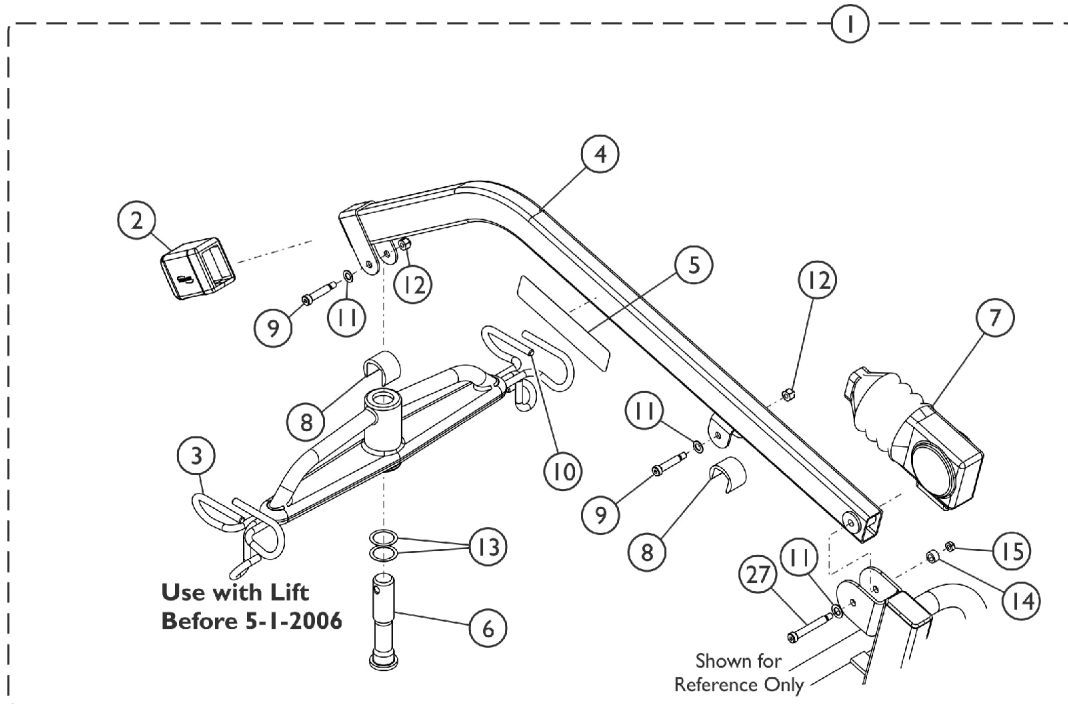


Boom Assembly

Model - RPL/ RPA 450-1 and RHL/ RHA 450-1



Boom Assembly

Model - RPL/ RPA 450-1 and RHL/ RHA 450-1

Item Number	Note	Part Number	Description	Quantity Per	
				Package	Assembly
1		1082594	Kit, Mast & Boom - Electric	1	1
1		1082595-NLA	NLA - Kit, Mast & Boom - Hydraulic	1	1
2	N	1078983-NLA	NLA - Tube Cover with Internal End Cap Assembly	1	1
2		1152114	Tube Cover with Internal End Cap Assembly	1	1
3	G	1064518-NLA	NLA - Bracket, Hanger - Urethane Padded	1	1
3		1075644-NLA	NLA - Bracket, Hanger - Extra Wide Swivel Bar Only	1	1
	A,B,C	1065360	Cap, End, Black (1-1/4 x 2")	1	1
4	M	1078297	Boom, RPL/ RPA, Electric	1	1
4	N	1079822	Boom, RHL/ RHA, Hydraulic	1	1
5		1068065	Decal - Reliant 450 Lift	1	1
6	J	1064339	Pin, Hanger	1	1
7		1063234	Boot	1	1
8		1064269	Guard, Finger	1	2
9		1031665	Screw, Shoulder Hex Socket Head (3/8 x 1-1/2", 5/16-18)	1	2
10	C,D,E	1137247-NLA	NLA - Package, Rubber Tip, Beige	6	1
11		1065214	Washer, Flat (3/8 x 11/16 x 1/16")	1	3
12		1064267	Locknut (5/16-18)	1	2
13		1064338	Washer, Nylon (1-9/64 x 1-1/2 x 1/64")	1	2
14		1129466	Spacer (3/8 x 5/8 x 11/32")	1	1
15		1028769	Locknut (5/16-18)	1	1
16	F	1143629	Kit, Hanger Bar w/ Latches - Retrofit	1	1
			Bar, Hanger	1	1
			Bar, Pad	1	1
17	F	1070969	Bar, Pad	1	1
18		1147501	Kit, Latch - Hanger Bar	1	1
			Package, Latch	6	1
19	F	1132035	Bar, Hanger	1	1
20	H	1147502	Kit, Scale Hardware	1	1
21			Pin, Hanger	1	1
22			Washer, Nylon (1-9/64 x 1-1/2 x 1/64")	1	2
23			Screw, Shoulder, Socket (5/16 x 1, 1/4-20 Thread)	1	1
24			Locknut (1/4-20)	1	2
25			Washer, Flat (3/8 x 11/16 x 1/16")	1	2
26			Spacer (3/8 x 5/8 x 11/32")	1	2
27		1129465	Screw, Shoulder Hex Socket Head (3/8 x 2-1/4", 5/16-18)	1	1

Boom Assembly

Model - RPL/ RPA 450-1 and RHL/ RHA 450-1

NOTE: A - Used on equipment built after 5-13-1999, End Cap is Incorporated into (item 2) Tube Cover with Internal End Cap Assembly.
B - Used on equipment built before 5-14-1999.
C - Not shown on illustration.
D - Includes (6) Rubber Tips and Instruction Sheet.
E - Used on Spreader Bar Hooks.
F - Use on Boom Assembly "After 4-30-2006."
G - Use on Boom Assembly "Before 5-1-2006." NLA, use part number 1143629 as a replacement.
H - Used to mount Hanger Bar to Boom when using a Reliant Scale option. Use Hanger Pin included in this kit to mount Scale and Hanger Bar to Boom.
J - Hanger Pin is used only to attach the hanger bar to the boom. The Hanger Pin to mount the Bar and Scale to the Boom is included in Kit 1147502.
M - Used on equipment built before 11-17-2008.
N - Used on equipment built after 11-16-2008.