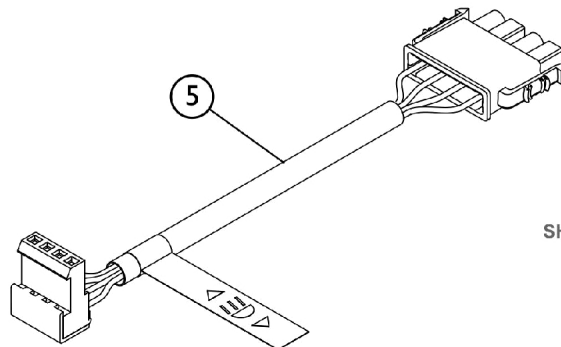
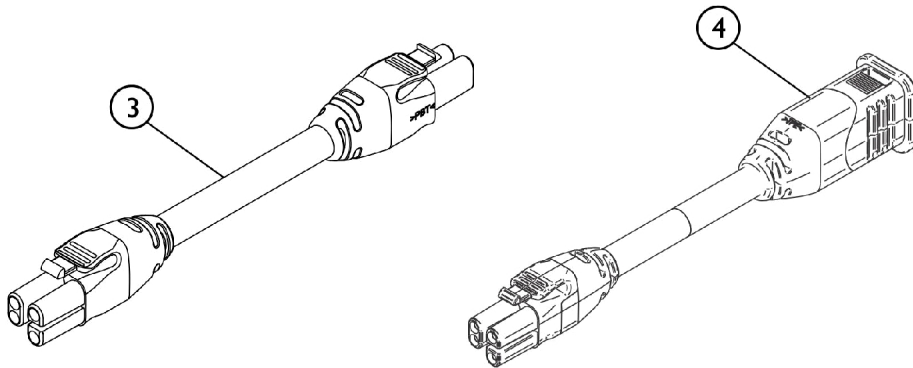
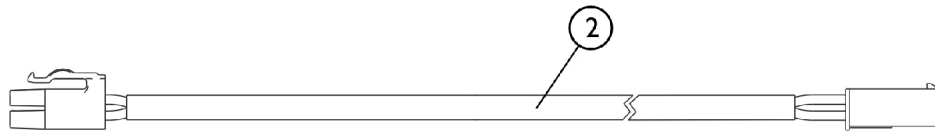
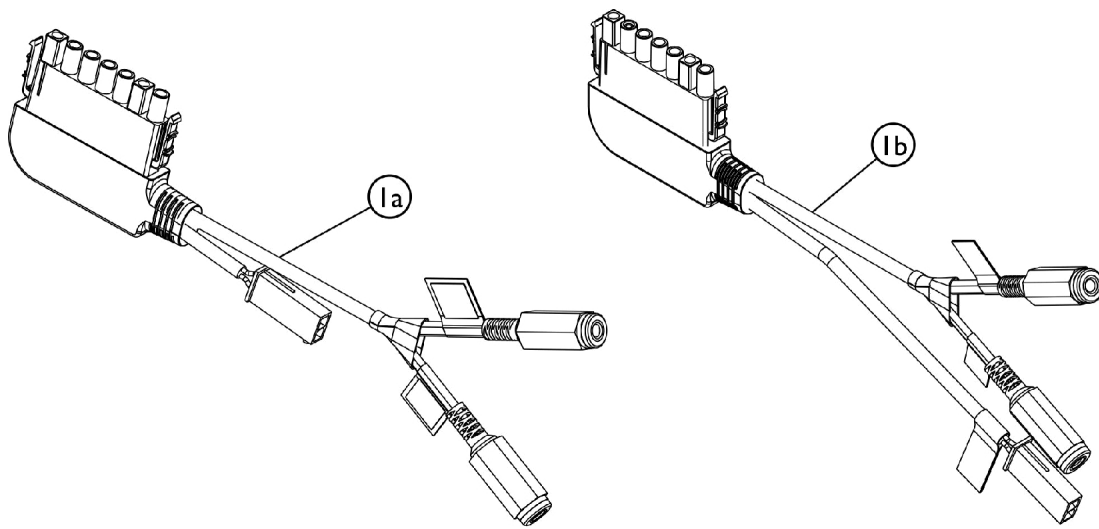


Cables - Bus (PWH), Adapter, Sensor, Actuator



SHEP_315B

Cables - Bus (PWH), Adapter, Sensor, Actuator

Item Number	Note	Part Number	Description	Quantity Per	
				Package	Assembly
1a	A,C	60102539	Kit, Accessory Cable,LiNX, w/ 10-Way Switch and Lift AELM	1	1
			Accessory Cable,LiNX, w/ 10-Way Switch and Lift AELM	1	1
			Sheet, Insert Parts Service	1	1
1b	A,D	60124381	Harness, Lift Sensor, Captain 420mm 16-17/32"	1	1
			Harness, Lift Sensor, Captain 420mm 16-17/32"	1	1
			Sheet, Insert Parts Service	1	1
2	A	60102526	Kit, Adapter Cable Assembly, TYCO-ACT 500mm 19-11/16"	1	1
			Adapter Cable Assembly, TYCO-ACT 500mm 19-11/16"	1	1
			Sheet, Insert Parts Service	1	1
3	B	60102530	Kit, LiNX Bus Cable (PWH) 1500mm 59-1/16" (GLM-BUS150)	1	1
			LiNX Bus Cable (PWH) 1500mm 59-1/16" (GLM-BUS150)	1	1
			Sheet, Insert Parts Service	1	1
4	A	60108442	Kit, LiNX Bus Extension Cable, GLM-EXT090-A, 900mm 35-7/16"	1	1
			LiNX Bus Extension Cable, GLM-EXT090-A, 900mm 35-7/16"	1	1
			Sheet, Insert Parts Service	1	1
5		60102533	Kit, Light Cable Assembly	1	1
			Light Cable Assembly	1	1
			Sheet, Insert Parts Service	1	1
NOTE: A - Used for ELEV Option B - Used for Remote Joysticks C - Used before 01/24/22 D - Used after 01/23/22					