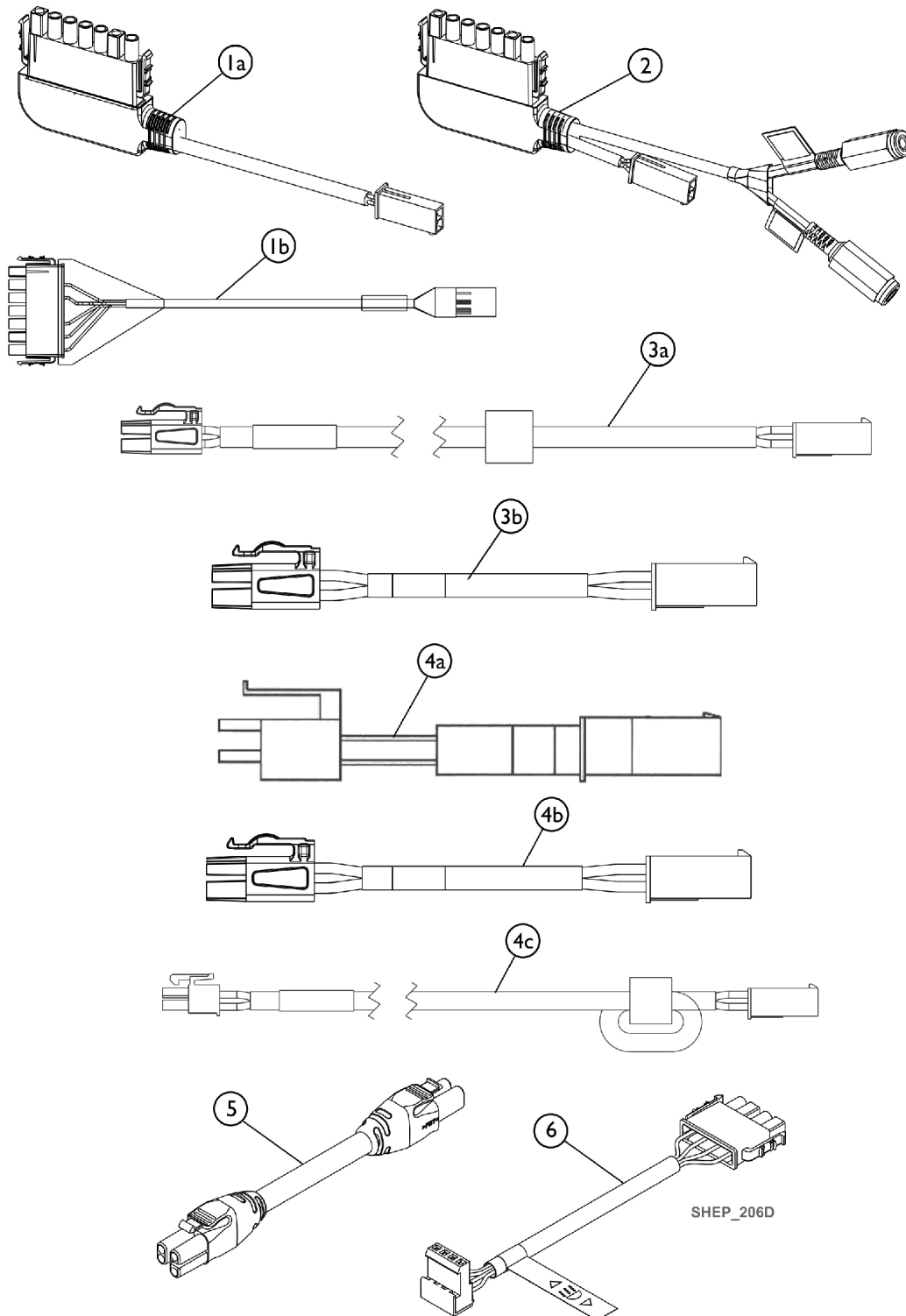


# Cables - Bus (PWH), Adapter, Sensor, Actuator



## Cables - Bus (PWH), Adapter, Sensor, Actuator

Item Number	Note	Part Number	Description	Quantity Per	
				Package	Assembly
1a	A	60102544	Kit, Sensor Cable Assembly w/ Lift AELM	1	1
			Sensor Cable Assembly w/ Lift AELM	1	1
			Sheet, Insert Parts Service	1	1
1b	B	60132737	Kit, Accessory Cable, LiNX, 457mm 17-63/64"	1	1
			Accessory Cable, LiNX, 457mm 17-63/64"	1	1
			Sheet, Insert Parts Service	1	1
2		60102539	Kit, Accessory Cable, LiNX, w/ 10-Way Switch and Lift AELM	1	1
			Accessory Cable, LiNX, w/ 10-Way Switch and Lift AELM	1	1
			Sheet, Insert Parts Service	1	1
3a	A	60102526	Kit, Adapter Cable Assembly, TYCO-ACT 500mm 19-11/16"	1	1
			Adapter Cable Assembly, TYCO-ACT 500mm 19-11/16"	1	1
			Sheet, Insert Parts Service	1	1
3a	A	60102534	Kit, Adapter Cable Assembly, w/ Lift AELM (1320mm 51-31-32"	1	1
			Adapter Cable Assembly, w/ Lift AELM (1320mm 51-31-32")	1	1
			Sheet, Insert Parts Service	1	1
3b	B	60132736	Kit, Harness Wire Extension, 305mm 12-1/64"	1	1
			Harness, Wire Extension 305mm 12-1/64"	1	1
			Sheet, Insert Parts Service	1	1
4a	A	60102545	Kit, Actuator Cable, LNX, (MPELR - Left)	1	1
			Actuator Cable, LNX, (MPELR - Left)	1	1
			Sheet, Insert Parts Service	1	1
4a	A	60105177	Kit, Actuator Cable (MPELR - Right)	1	1
			Actuator Cable (MPELR - Right)	1	1
			Sheet, Insert Parts Service	1	1
4a	A	60102546	Kit, Adapter Cable Assembly, DX2-ACT4 To Molex 2 Pin	1	1
			Adapter Cable Assembly, DX2-ACT4 To Molex 2 Pin	1	1
			Sheet, Insert Parts Service	1	1
4b	B	60132731	Kit, Harness Wire Extension, 457mm 17-63/64"	1	1
			Harness Wire Extension 457mm 17-63/64"	1	1
			Sheet, Insert Parts Service	1	1
4b	B	60132732	Kit, Harness Wire Extension, 584mm 22-63/64"	1	1
			Harness Wire Extension 584mm 22-63/64"	1	1
			Sheet, Insert Parts Service	1	1
4b	B	60132733	Kit, Harness Wire Extension, LNX Center Mount, 914mm 35-63/64"	1	1
			Harness Wire Extension, LNX Center Mount, 914mm 35-63/64"	1	1
			Sheet, Insert Parts Service	1	1
4b	B	60132734	Kit, Harness Wire Extension, 1118mm 44-1/64"	1	1
			Harness Wire Extension, 1118mm 44-1/64"	1	1
			Sheet, Insert Parts Service	1	1

## Cables - Bus (PWH), Adapter, Sensor, Actuator

Item Number	Note	Part Number	Description	Quantity Per	
				Package	Assembly
4b	B	60132735	Kit, Harness Wire Extension, MPELR, 914mm 35-63/64"	1	1
			Harness Wire Extension, MPELR, 914mm 35-63/64"	1	1
			Sheet, Insert Parts Service	1	1
4c	B	60132740	Kit, Harness Wire Extension w/ Ferrite, 457mm 17-63/64"	1	1
			Harness Wire Extension w/ Ferrite, 457mm 17-63/64"	1	1
			Sheet, Insert Parts Service	1	1
4c	B	60132741	Kit, Harness Wire Extension w/ Ferrite, 914mm 35-63/64"	1	1
			Harness Wire Extension w/ Ferrite, 914mm 35-63/64"	1	1
			Sheet, Insert Parts Service	1	1
5		60102528	Kit, LiNX Bus Cable (PWH) 300mm 11-13/16" (GLM-BUS030)	1	1
			LiNX Bus Cable (PWH) 300mm 11-13/16" (GLM-BUS030)	1	1
			Sheet, Insert Parts Service	1	1
5		60102529	Kit, LiNX Bus Cable (PWH) 700mm 27-9/16" (GLM-BUS070)	1	1
			LiNX Bus Cable (PWH) 700mm 27-9/16" (GLM-BUS070)	1	1
			Sheet, Insert Parts Service	1	1
5		60102536	Kit, LiNX Bus Cable (PWH) 1200mm 47-1/4" (GLM-BUS120)	1	1
			LiNX Bus Cable (PWH) 1200mm 47-1/4" (GLM-BUS120)	1	1
			Sheet, Insert Parts Service	1	1
5		60102530	Kit, LiNX Bus Cable (PWH) 1500mm 59-1/16" (GLM-BUS150)	1	1
			LiNX Bus Cable (PWH) 1500mm 59-1/16" (GLM-BUS150)	1	1
			Sheet, Insert Parts Service	1	1
5		60102531	Kit, LiNX Bus Cable (PWH) 1700mm 66-59/64" (GLM-BUS170)	1	1
			LiNX Bus Cable (PWH) 1700mm 66-59/64" (GLM-BUS170)	1	1
			Sheet, Insert Parts Service	1	1
6		60102533	Kit, Light Cable Assembly	1	1
			Light Cable Assembly	1	1
			Sheet, Insert Parts Service	1	1
		See Chart	1	1	
		See Chart	1	1	

NOTE: A - Used Before 01/24/22  
B - Used After 01/23/22

# Cables - Bus (PWH), Adapter, Sensor, Actuator

## Powered Seating - Non-Expandable System Cable Length by Configuration

Configuration	Power Module to 4-way Connector	USB to 4-way Connector	Actuator Module to 4-way Connector	Actuator Module to ACU	Remote to 4-way Connector	Function Key Type	Actuator Module to Actuator
Recline only	1200mm	300mm	700mm	300mm	1500mm	FKEY01/ FKEY01TDC	Recline connected
Tilt/Recline	1200mm	300mm	700mm	300mm	1500mm	FKEY02/ FKEY02TDC	Tilt connected. Recline connected.
LNX only	1200mm	300mm	1200mm	300mm	1500mm	FKEY01/ FKEY01TDC	LNX connected
Tilt only	1200mm	300mm	1200mm	300mm	1500mm	FKEY01/ FKEY01TDC	Tilt connected
Dual Legs	1200mm	300mm	1200mm	300mm	1500mm	FKEY02/ FKEY02TDC	Legrest Right connected. Legrest Left connected.
Recline/LNX	1200mm	300mm	700mm	300mm	1500mm	FKEY02/ FKEY02TDC	Recline connected. LNX connected.
Tilt/LNX	1200mm	300mm	1200	300mm	1500mm	FKEY02/ FKEY02TDC	Tilt connected. LNX connected.
Tilt/Elevating seat	1200mm	300mm	1200	300mm	1500mm	FKEY02/ FKEY02TDC	Tilt connected. Elevating Seat connected.

For additional information refer to the Service Manual part #1195668 On-Line under Product Literature Search.

# Cables - Bus (PWH), Adapter, Sensor, Actuator

## Powered Seating - Expandable System Bus Cable Length by Configuration

Configuration	w/ Tilt, w/ Recline, w/o Elevating Seat	w/ Tilt, w/o Recline, w/o Elevating Seat	w/ Tilt, w/ Recline, w/ Elevating seat	w/ Tilt, w/o Recline, w/ Elevating Seat
Power Module to a 4-way connector	1200mm	1200mm	1500mm	1500mm
Remote to 4-way connector	1500mm	1500mm (REM2xx, REM400) 1700mm (REM500)	1500mm (REM2xx, REM400) 1700mm (REM500)	1500mm (REM2xx, REM400) 1700mm (REM500)
4-way connector to 4-way connector	700mm	1200mm	700mm	1200mm
USB charger to 4-way connector	300mm	300mm	300mm	300mm
Compact Remote to 4-way connector	1200mm	1200mm	1200mm	1200mm
Actuator Module to 4-way connector	300mm	300mm	300mm	300mm
Actuator Module to Input Module	300mm	300mm	300mm	300mm
Actuator Module to ACU	300mm	300mm	300mm	300mm
Input Module to ACU	300mm	300mm	300mm	300mm

For additional information refer to the Service Manual part #1195668 On-Line under Product Literature Search.