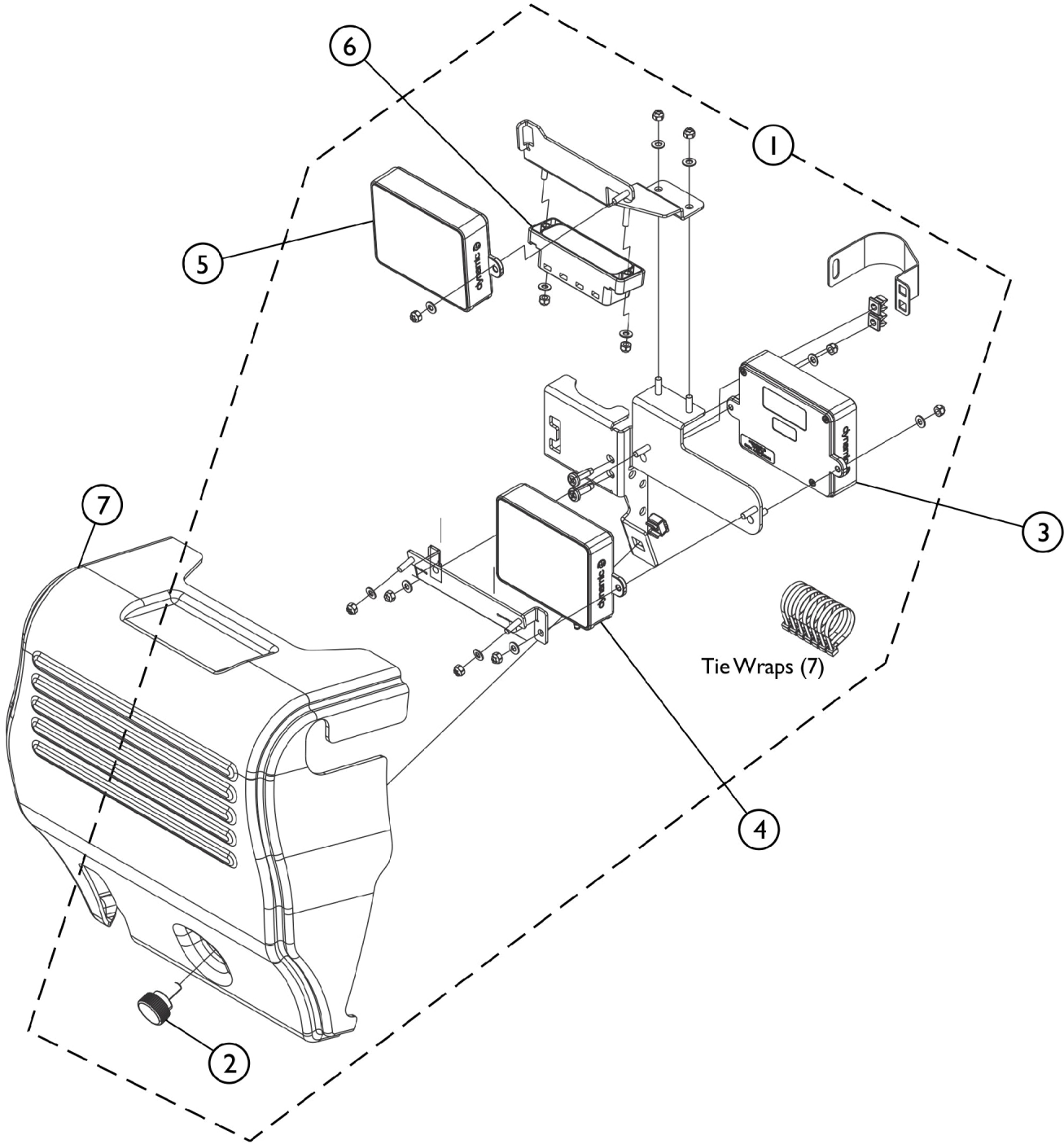


Backrest Bracket Mounting Hardware, Recline - DLX-ACT400, DLX-IN500, DLX-OUT500, GLM-CONX4



Backrest Bracket Mounting Hardware, Recline - DLX-ACT400, DLX-IN500, DLX-OUT500, GLM-CONX4

Item Number	Note	Part Number	Description	Quantity Per	
				Package	Assembly
1	A	60102541	Kit, Backrest Bracket Mounting Hardware, Recline for DLX-IN500, CONX4, DLX ACT400	1	1
2		60102721	Kit, Knob, Hand Wheel (M6 x 15)	1	1
3	E,F	60102474	Kit, LiNX DLX-IN500 Input Module (INPUT)	1	1
4	F	60102475	Kit, LiNX 4-Channel Actuator Module (DLX-ACT400)	1	1
5	C,D	60108452	Kit, LiNX DLX-OUT500 Output Module (OUT500)	1	1
6		60102473	Kit, LiNX CONX4 4-way Expansion Block	1	1
7		60102672	Kit, Shroud, Backrest Recline	1	1
	B	60102523	Kit, Sip-N-Puff, 16" Fixed (PKG32666) Includes: (3) Air Tube Straws, (2) Saliva Traps, Tubing, Pivot Shaft/Flexible Metal Gooseneck Assembly, and Extruded Figure "8" Clamp to fit 7/8" Wheelchair Frame Tubing. Extruded Back Cane Adapter Clamp.	1	1

NOTE: A - Includes all hardware shown including item #2 and Tie Wraps (7 ea.).
 B - Not Shown
 C - Item #5 includes LiNX DLX-OUT500 Output Module, 2 ea. Washer (M4 4.3 x 9 x .8), 2 ea. Locknut (M4), 1 ea. LiNX Bus Cable (PWH) 300mm 11-13/16" (GLM-BUS030)
 D - Before ordering a new DLX-OUT500 Module, contact Invacare Technical Services for assistance regarding NOTE located below.
 E - Item #4 LiNX DLX-IN500 Input Module does not include the LiNX Bus Cable (PWH) 300mm 11-13/16" (GLM-BUS030).
 F - Item #3 and #4 switched mounting locations after 01/23/22.

NOTE D continued. Wheelchairs with Serial Numbers before 18JE000303: Update the bundle files. The bundle file must be updated for the output module to function. To avoid losing configuration settings during this update, request Invacare Technical Service to have the existing file converted and updated.