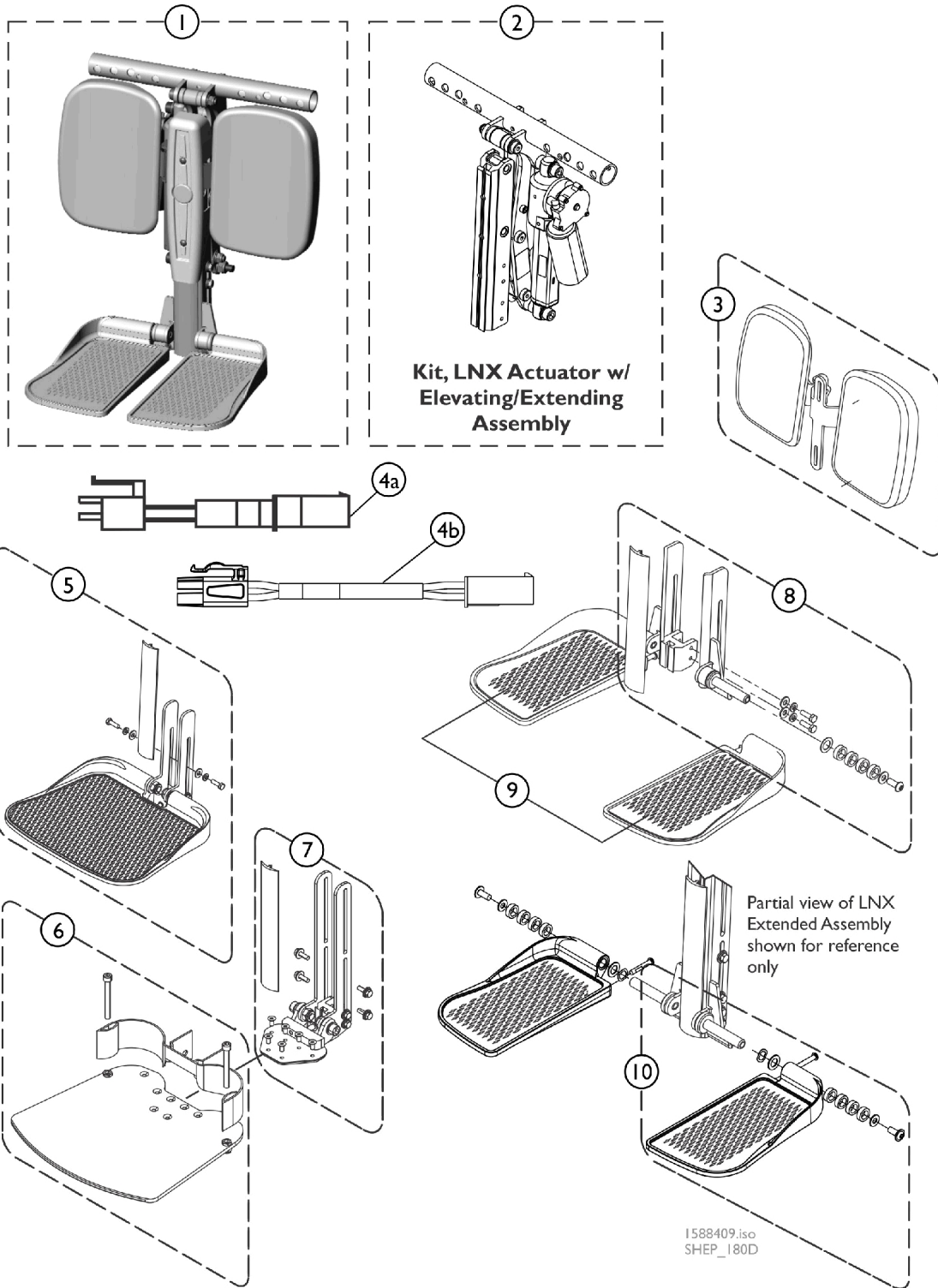


# Center Mount Legrest Power (LNX)



## Center Mount Legrest Power (LNX)

Item Number	Note	Part Number	Description	Quantity Per	
				Package	Assembly
1	D	60102726	Kit, LNX Power Legrest w/ Independant Footplates - Small	1	1
1	D	60103356	Kit, LNX Power Legrest w/ Independant Footplates - Medium	1	1
1	D	60102727	Kit, LNX Power Legrest w/ Independant Footplates - Large	1	1
2		60123531	Kit, LNX Actuator w/ Elev./Extending Assembly	1	1
3		60102709	Kit, Flat Calf Pad Assembly, LNX	1	1
4a	A	60102545	Kit, Actuator Cable, LNX, (MPELR - Left)	1	1
			Actuator Cable, LNX, (MPELR - Left)	1	1
			Sheet, Insert Parts Service	1	1
4b	E	60132733	Kit, Harness Wire Extension, LNX Center Mount, 914mm 35-63/64"	1	1
			Harness Wire Extension, LNX Center Mount, 914mm 35-63/64"	1	1
			Sheet, Insert Parts Service	1	1
5	B	60102713	Kit, Footboard Assembly, Center Mount, Fixed Heel Cup (12" W x 9" D)	1	1
6	B	60105162	Center Mount Flip-Up Foot Platform Assembly, LNX (12" W x 8-1/2" D)	1	1
6	B	60105161	Center Mount Flip-Up Foot Platform Assembly, LNX (12" W x 10-3/4" D)	1	1
6	B	60105163	Center Mount Flip-Up Foot Platform Assembly, LNX (17" W x 13" D)	1	1
7	C	60105164	Center Mount Foot Platform Mount Assembly, Flex Heel Cup	1	1
8		60105165	Independent Footplate Mounting Hardware, Center Mount (Pair)	1	1
9		1163374	Kit, Footrest Pad - Small (Pair)	1	1
			Pad, Footplate, Small - Right	1	1
			Pad, Footplate, Small - Left	1	1
9		1163375	Kit, Footrest Pad - Medium (Pair)	1	1
			Pad, Footplate, Medium - Right	1	1
			Pad, Footplate, Medium - Left	1	1
9		1163376	Kit, Footrest Pad - Large (Pair)	1	1
			Pad, Footplate, Large - Right	1	1
			Pad, Footplate, Large - Left	1	1
10		See Chart	#10 Footplate Kits	1	1

NOTE: A - The Left Side Actuator Cable is used for both LNX and MPELR Power Legrest. Used before 01/11/22  
B - Item's 5 and 6 only include the lower Footboard Assembly portion of the Power LNX Legrest as shown.  
C - Item 6 and 7 assemble together.  
D - Kit includes the Actuator Motor.  
E - Used after 01/23/22

### #10 Footplate Kits

Footplate Side	Small 5-1/4" W x 7-1/2" L	Medium 5-1/2" W x 9-1/2" L	Large 5-7/8" W x 11-1/2" L
----------------	------------------------------	-------------------------------	-------------------------------

# Center Mount Legrest Power (LNX)

## #10 Footplate Kits

Footplate Side	Small 5-1/4" W x 7-1/2" L	Medium 5-1/2" W x 9-1/2" L	Large 5-7/8" W x 11-1/2" L
Right	1170683 See Note(s) A	1170685 See Note(s) A	1170687 See Note(s) A
Left	1170684 See Note(s) A	1170686 See Note(s) A	1170688 See Note(s) A

NOTE: A - Includes the Footplate, attaching hardware and the Adjustable Width Footplate Instruction Sheet (Not Shown).