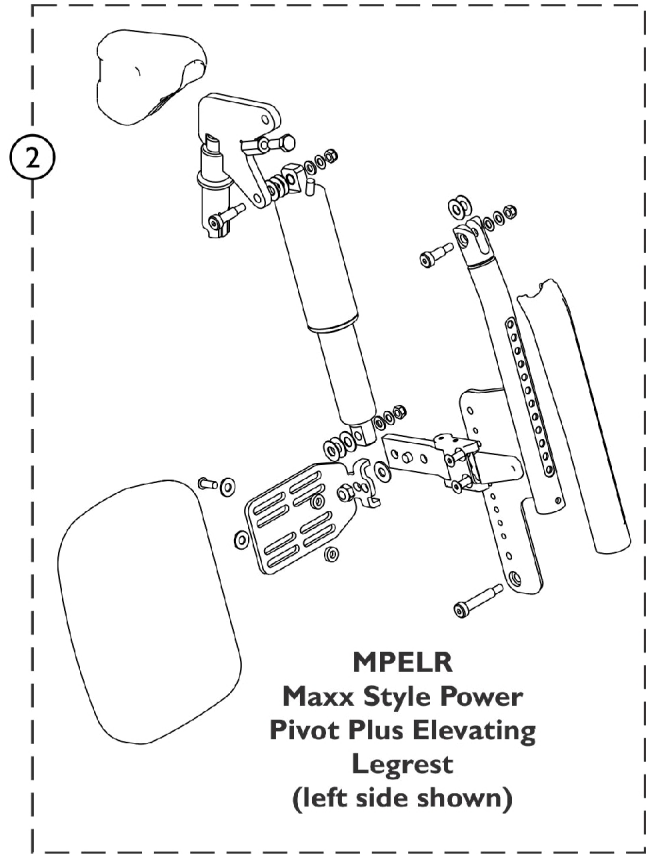
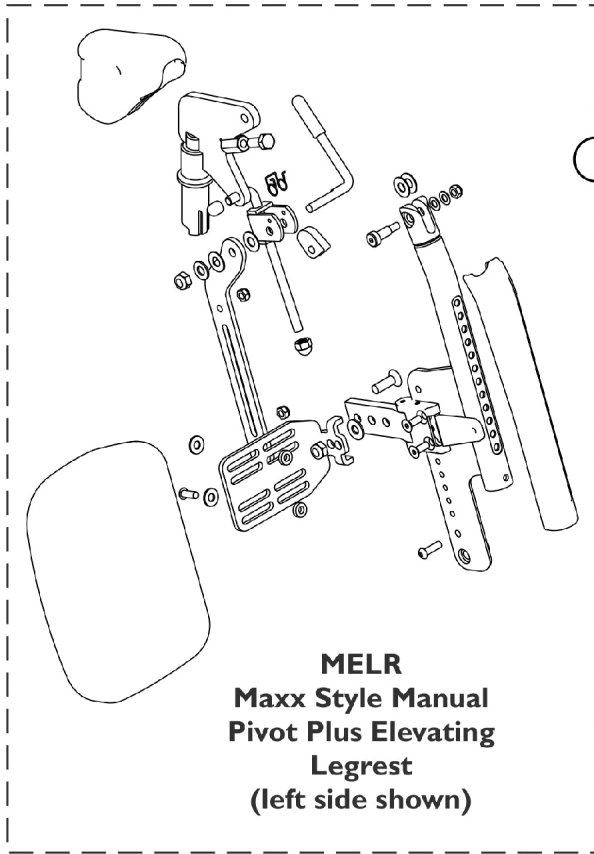
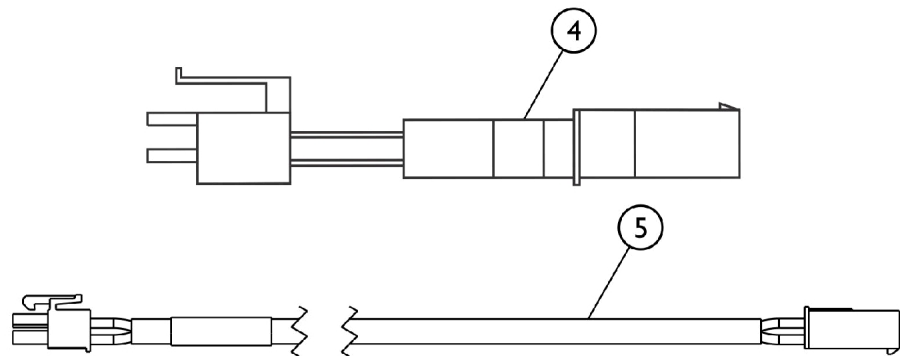
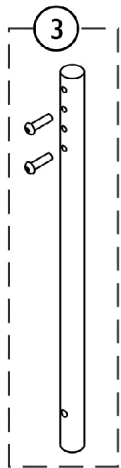


Maxx Style Pivot Plus Elevating Legrest



SHEP_238C



Maxx Style Pivot Plus Elevating Legrest

Item Number	Note	Part Number	Description	Quantity Per	
				Package	Assembly
1		60102846	Kit, Maxx Style Pivot Plus Elevating Legrest, Manual MELR - Left	1	1
1		60102845	Kit, Maxx Style Pivot Plus Elevating Legrest, Manual MELR - Right	1	1
2		60102720	Kit, Maxx Style Pivot Plus Elevating Legrest, Power MPELR - Left	1	1
2		60102719	Kit, Maxx Style Pivot Plus Elevating Legrest, Power MPELR - Right	1	1
3		60105167	Kit, Extension Tube Assembly w/ Hardware, MELR, MPELR, MSKTHL-S (11" L)	1	1
3		60105168	Kit, Extension Tube Assembly w/ Hardware, MELR, MPELR, MSKTHL-M (14" L)	1	1
3		60105169	Kit, Extension Tube Assembly w/ Hardware, MELR, MPELR, MSKTHL-L (17" L)	1	1
4	A	60102545	Kit, Actuator Cable, LNX, (MPELR - Left)	1	1
			Actuator Cable, LNX, (MPELR - Left)	1	1
			Sheet, Insert Parts Service	1	1
4	B	60105177	Kit, Actuator Cable (MPELR - Right)	1	1
			Actuator Cable (MPELR - Right)	1	1
			Sheet, Insert Parts Service	1	1
5	C	60132735	Kit, Harness Wire Extension, MPELR, 914mm 35-63/64"	1	1
			Harness Wire Extension, MPELR, 914mm 35-63/64"	1	1
			Sheet, Insert Parts Service	1	1

NOTE: A - The Left Side Actuator Cable is used for both LNX and MPELR Power Legrest. Used before 01/24/22
B - The Right Side Actuator Cable is used for MPELR Power Legrest only. Used before 01/24/22
C - Used after 01/23/22 for MPELR Power Legrest on both right and left side.