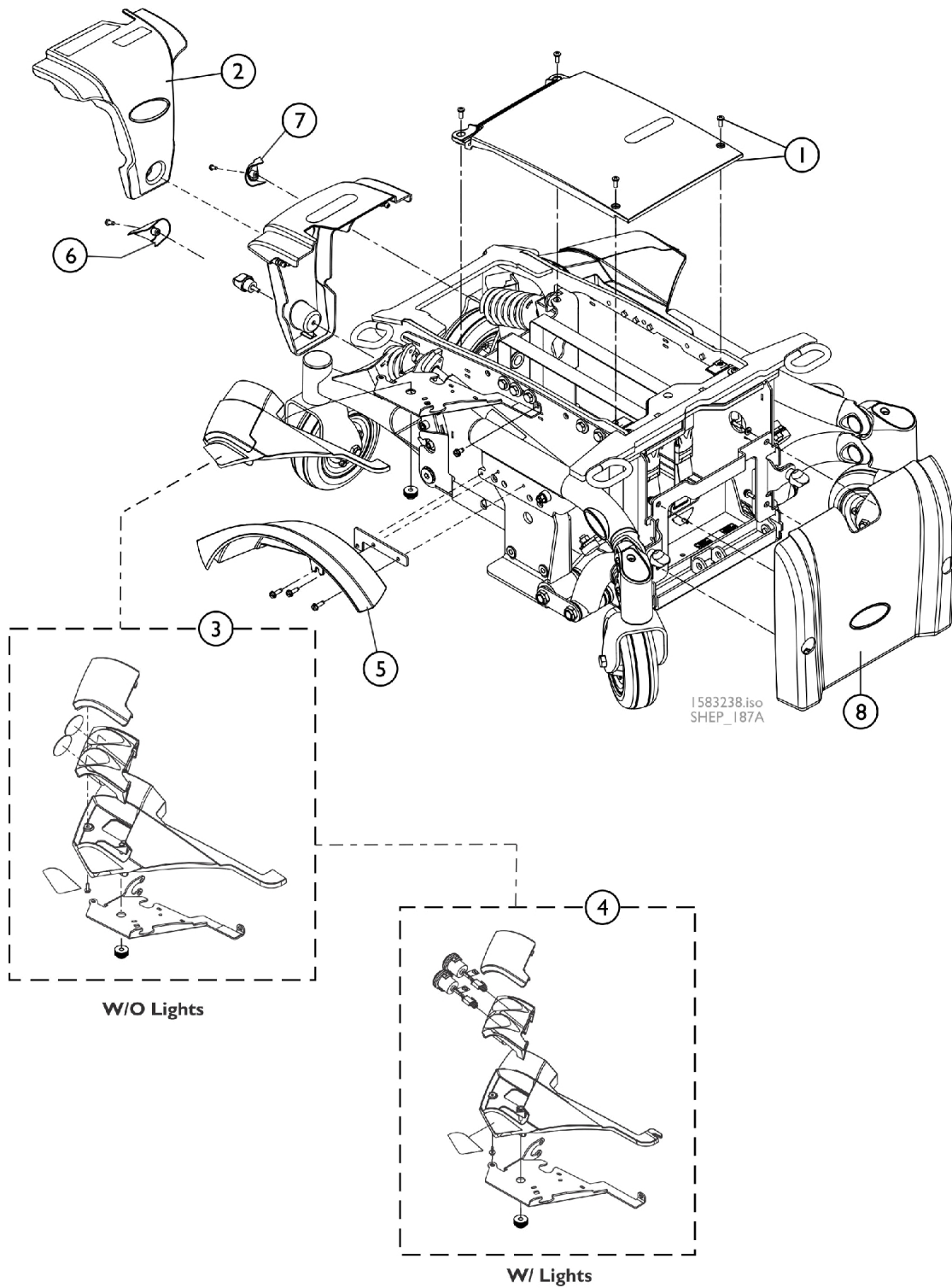


# Shrouds without Mounting Hardware



## Shrouds without Mounting Hardware

Item Number	Note	Part Number	Description	Quantity Per	
				Package	Assembly
1	A	60102823	Kit, Shroud, Center w/ Hardware, Non-Elevate, Black, 22NF Narrow Battery Box	1	1
1	A	60102822	Kit, Shroud, Center w/ Hardware, Non-Elevate, Black, GP24 Wide Battery Box	1	1
2		See Chart	#2 Colored Rear Shroud w/ Decals and Screw Knob - 300 Lb. Limit	1	1
2		See Chart	#2 Colored Rear Shroud w/ Decals and Screw Knob (continued) - 300 Lb. Limit	1	1
2		See Chart	#2 Colored Rear Shroud w/ Decals and Screw Knob - 450 Lb.Limit	1	1
2		See Chart	#2 Colored Rear Shroud w/ Decals and Screw Knob (continued) - 450 Lb. Limit	1	1
3		See Chart	#3 Colored Bezel Shroud Assembly w/ Mounting Bracket Kit - w/o Light Option	1	1
3		See Chart	#3 Colored Bezel Shroud Assembly w/ Mounting Bracket Kit - w/o Light Option (continued)	1	1
4		See Chart	#4 Colored Bezel Shroud Assembly w/ Mounting Bracket Kit - w/ Light Option	1	1
4		See Chart	#4 Colored Bezel Shroud Assembly w/ Mounting Bracket Kit - w/ Light Option (continued)	1	1
		60102804	Kit, Cover, Lighting Bezel Lens - Right	1	1
		60102805	Kit, Cover, Lighting Bezel Lens - Left	1	1
		1183489	Decal, TDX SP2 - Right	1	1
		1183488	Decal, TDX SP2 - Left	1	1
5		See Chart	#5 Fender Shroud Assembly	1	1
5		See Chart	#5 Fender Shroud Assembly (continued)	1	1
6-7		See Chart	#6 and 7 Colored Rear Caps	1	1
6-7		See Chart	#6 and 7 Colored Rear Caps (continued)	1	1
8		See Chart	#8 Colored Front Shroud w/ Decals	1	1
8		See Chart	#8 Colored Front Shroud w/ Decals (cont.)	1	1

NOTE: A - Item #1 will include the Mounting Hardware

## Shrouds without Mounting Hardware

### #2 Colored Rear Shroud w/ Decals and Screw Knob - 300 Lb. Limit

Description	Black Ice Glossy 163P	Rockstar Red 154P	Tangy Orange 155P	Monster Green 156P	Island Blue 157P	Lights Out Black Matte 158P	Whiteout 159P
Narrow Battery Box	60103197	60103188	60103189	60103190	60103191	60103192	60103193
Wide Battery Box	60103207	60103198	60103199	60103200	60103201	60103202	60103203

### #2 Colored Rear Shroud w/ Decals and Screw Knob (continued) - 300 Lb. Limit

Description	Invacare Blue 160P	Grape Jellybean 161P	SpaceStation Silver 162P
Narrow Battery Box	60103194	60103195	60103196
Wide Battery Box	60103204	60103205	60103206

# Shrouds without Mounting Hardware

## #2 Colored Rear Shroud w/ Decals and Screw Knob - 450 Lb. Limit

Description	Black Ice Glossy 163P	Rockstar Red 154P	Tangy Orange 155P	Monster Green 156P	Island Blue 157P	Lights Out Black Matte 158P	Whiteout 159P
Wide Battery Box	60108370 See Note(s) A	60108361 See Note(s) A	60108362 See Note(s) A	60108363 See Note(s) A	60108364 See Note(s) A	60108365 See Note(s) A	60108366 See Note(s) A
NOTE: A - Used only for Motion Concepts using the TDX SP2-HD Base Assembly							

## #2 Colored Rear Shroud w/ Decals and Screw Knob (continued) - 450 Lb. Limit

Description	Invacare Blue 160P	Grape Jellybean 161P	SpaceStation Silver 162P
Wide Battery Box	60108367 See Note(s) A	60108368 See Note(s) A	60108369 See Note(s) A
NOTE: A - Used only for Motion Concepts using the TDX SP2-HD Base Assembly			

# Shrouds without Mounting Hardware

## #3 Colored Bezel Shroud Assembly w/ Mounting Bracket Kit - w/o Light Option

Description	Black Ice Glossy 163P	Rockstar Red 154P	Tangy Orange 155P	Monster Green 156P	Island Blue 157P	Lights Out Black Matte 158P	Whiteout 159P
Right	60103186	60103168	60103170	60103172	60103174	60103176	60103178
Left	60103187	60103169	60103171	60103173	60103175	60103177	60103179

## #3 Colored Bezel Shroud Assembly w/ Mounting Bracket Kit - w/o Light Option (continued)

Description	Invacare Blue 160P	Grape Jellybean 161P	SpaceStation Silver 162P
Right	60103180	60103182	60103184
Left	60103181	60103183	60103185

# Shrouds without Mounting Hardware

## #4 Colored Bezel Shroud Assembly w/ Mounting Bracket Kit - w/ Light Option

Description	Black Ice Glossy 163P	Rockstar Red 154P	Tangy Orange 155P	Monster Green 156P	Island Blue 157P	Lights Out Black Matte 158P	Whiteout 159P
Right	60103270	60103252	60103254	60103256	60103258	60103260	60103262
Left	60103271	60103253	60103255	60103257	60103259	60103261	60103263

## #4 Colored Bezel Shroud Assembly w/ Mounting Bracket Kit - w/ Light Option (continued)

Description	Invacare Blue 160P	Grape Jellybean 161P	SpaceStation Silver 162P
Right	60103264	60103266	60103268
Left	60103265	60103267	60103269

## #5 Fender Shroud Assembly

Description	Black Ice Glossy 163P	Rockstar Red 154P	Tangy Orange 155P	Monster Green 156P	Island Blue 157P	Lights Out Black Matte 158P	Whiteout 159P
Right Side	60102686	60102677	60102678	60102679	60102680	60102681	60102682
Left Side	60102698	60102689	60102690	60102691	60102692	60102693	60102694

## #5 Fender Shroud Assembly (continued)

Description	Invacare Blue 160P	Grape Jellybean 161P	SpaceStation Silver 162P
Right Side	60102683	60102684	60102685
Left Side	60102695	60102696	60102697

# Shrouds without Mounting Hardware

## #6 and 7 Colored Rear Caps

Description	Black Ice Glossy 163P	Rockstar Red 154P	Tangy Orange 155P	Monster Green 156P	Island Blue 157P	Lights Out Black Matte 158P	Whiteout 159P
#6 Rear Cap - Right	60102737	60102728	60102729	60102730	60102731	60102732	60102733
#7 Rear Cap - Left	60102747	60102738	60102739	60102740	60102741	60102742	60102743

## #6 and 7 Colored Rear Caps (continued)

Description	Invacare Blue 160P	Grape Jellybean 161P	SpaceStation Silver 162P
#6 Rear Cap - Right	60102734	60102735	60102736
#7 Rear Cap - Left	60102744	60102745	60102746

# Shrouds without Mounting Hardware

## #8 Colored Front Shroud w/ Decals

Description	Black Ice Glossy 163P	Rockstar Red 154P	Tangy Orange 155P	Monster Green 156P	Island Blue 157P	Lights Out Black Matte 158P	Whiteout 159P
Narrow Battery Box	60103227 See Note(s) A	60103218 See Note(s) A	60103219 See Note(s) A	60103220 See Note(s) A	60103221 See Note(s) A	60103222 See Note(s) A	60103223 See Note(s) A
Wide Battery Box	60103237 See Note(s) A	60103228 See Note(s) A	60103229 See Note(s) A	60103230 See Note(s) A	60103231 See Note(s) A	60103232 See Note(s) A	60103233 See Note(s) A
NOTE: A - As of 6/11/19 Notch located at the top center portion of the Narrow and Wide Front Shroud was removed and is backward compatible to wheelchairs manufactured before 6/11/19. Front Shroud includes the Invacare Logo Decal and Battery Wiring/Terminal information also.							



# Shrouds without Mounting Hardware

## #8 Colored Front Shroud w/ Decals (cont.)

Description	Invacare Blue 160P	Grape Jellybean 161P	SpaceStation Silver 162P
Narrow Battery Box	60103224 See Note(s) A	60103225 See Note(s) A	60103226 See Note(s) A
Wide Battery Box	60103234	60103235	60103236

NOTE: A - As of 6/11/19 Notch located at the top center portion of the Narrow Front Shroud was removed and is backward compatible to wheelchairs manufactured before 6/11/19.  
Front Shroud includes the Invacare Logo Decal and Battery Wiring/Terminal information also.