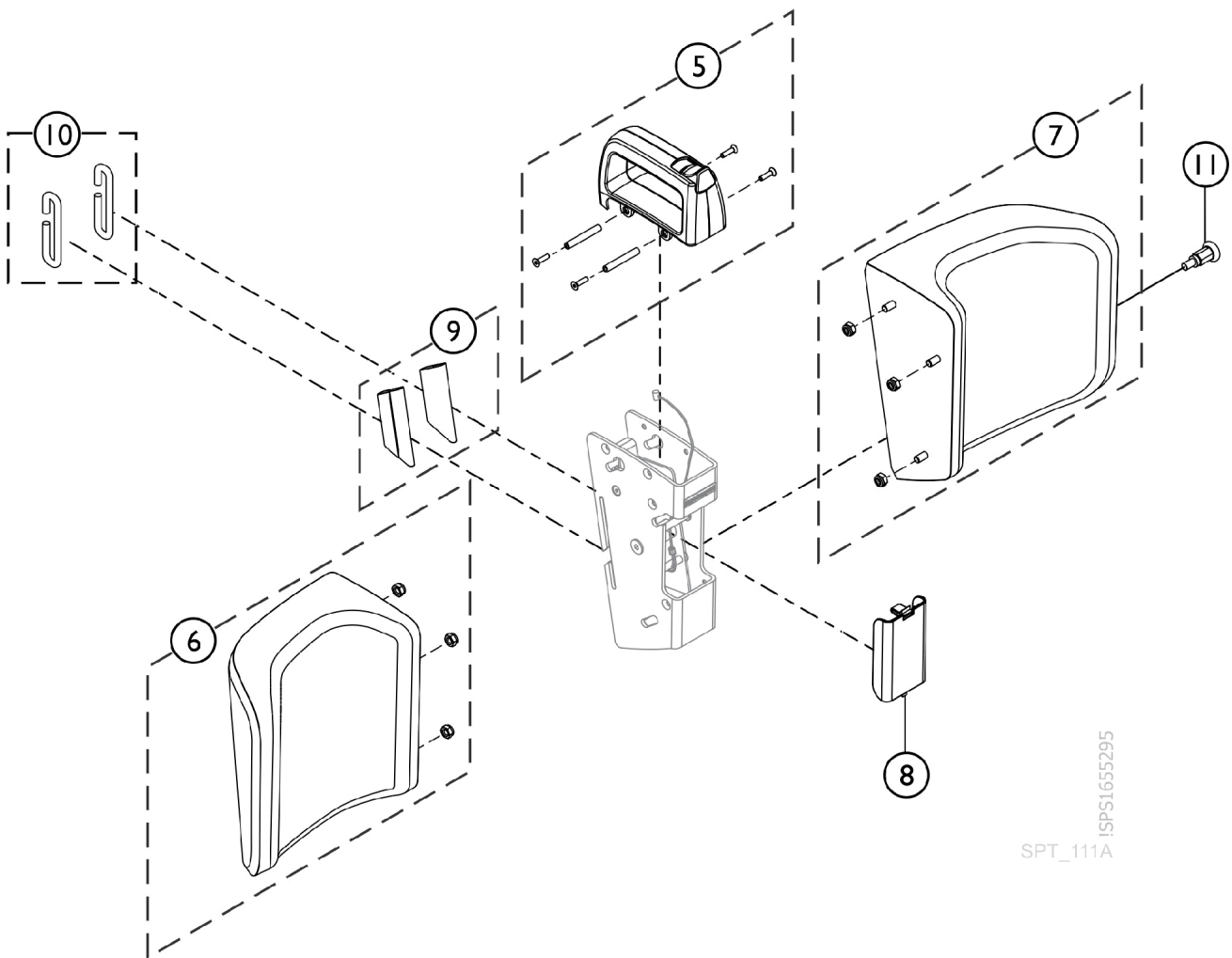
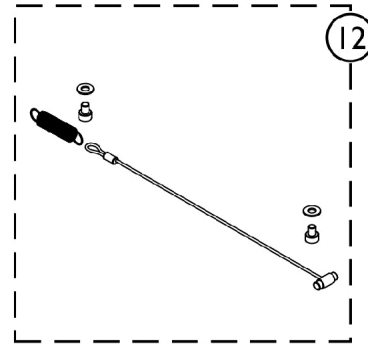
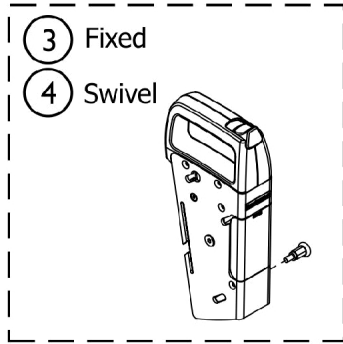
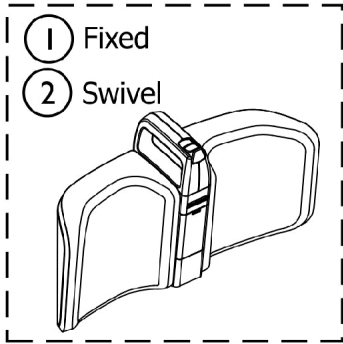


# Leg Support



# Leg Support

Item Number	Note	Part Number	Description	Quantity Per	
				Package	Assembly
3		SP1665205	Kit, Leg Support w/ Handle, Fixed	1	1
4		SP1665913	Kit, Leg Support w/ Handle, Swivel	1	1
5		SP1666039	Kit, Release Button Handle	1	1
6		SP1655804	Kit, Shin Cushion - Left	1	1
7		SP1655805	Kit, Shin Cushion - Right	1	1
8		SP1655809	Kit, Hardware, Cover Plate	1	1
9		SP1656413	Connector, Leg Band (Pkg. of 2)	2	1
10		SP1656414	Clip, Leg Band (Pkg. of 2)	2	1
11		SP1513591	Plunger	1	1
12		SP60121114	Kit, Leg Support Stopper	1	1

Item number #1 Fixed Legrest Support Assembly Complete and #2 Swiveling Legrest Support Assembly Complete is Non-Saleable.