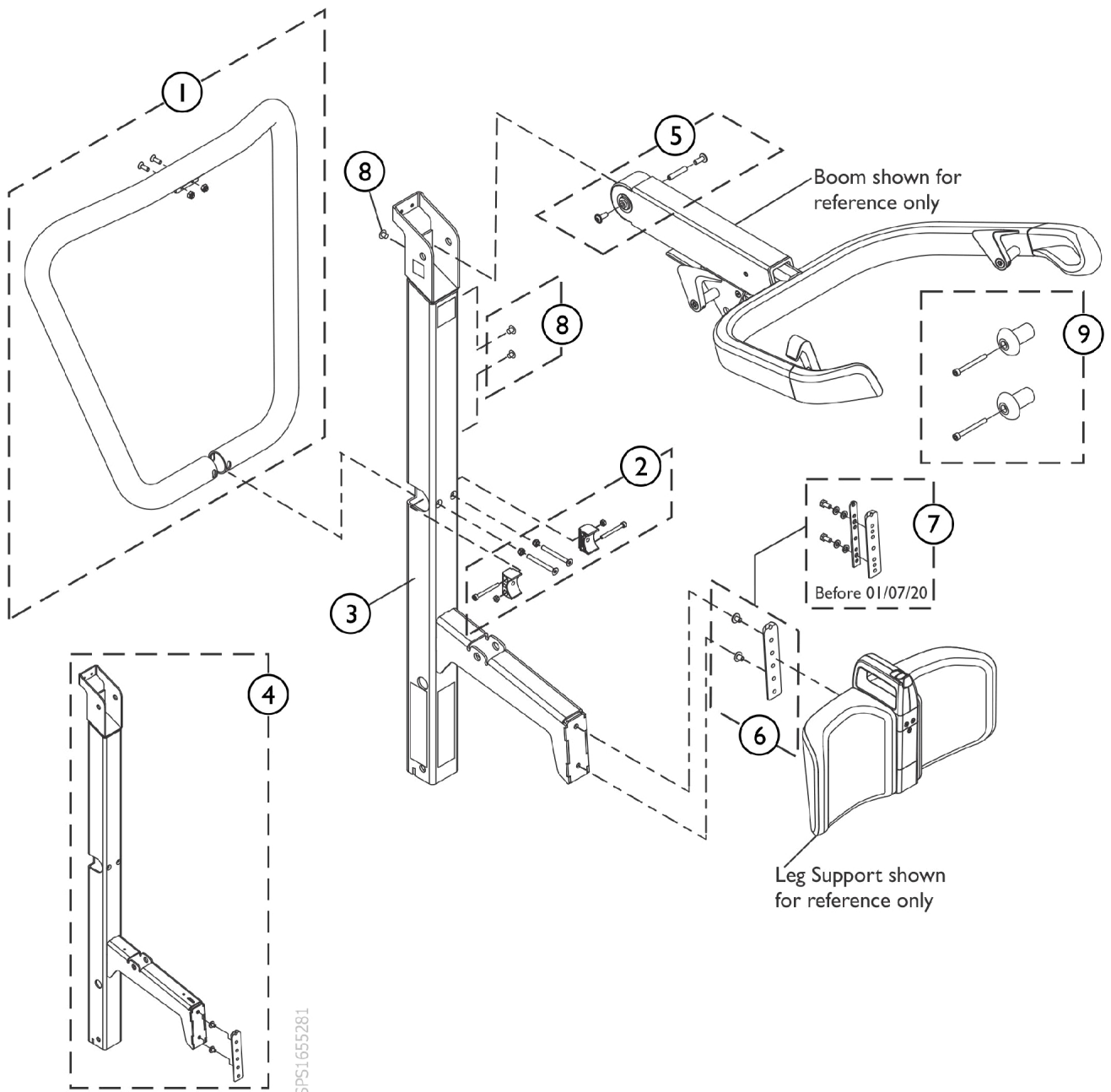


Mast



SPS1655281
SPT_112A

Mast

Item Number	Note	Part Number	Description	Quantity Per	
				Package	Assembly
1	A	SP1649667	Push Bar, ISA	1	1
2		SP1655733	Kit, Hardware, Push Bar Lower	1	1
3	B	SP1649689	Mast, ISA	1	1
4	C	SP1670069	Mast, ISA, old	1	1
5		SP1655734	Kit, Hardware, Mast and Boom Connection	1	1
6	D	SP1663112	Kit, Hardware, Mast and Leg Support Connection	1	1
7	E	SP1655735	Kit, Hardware, Mast and Leg Support Connection	1	1
8		SP1654968	Cover, Master Hole (Pkg. of 3)	3	1
9		SP1655744	Kit, Cable Management	1	1

NOTE: A - Includes Push Bar and Upper Push Bar Hardware
 B - Mast used after 08/11/21. ISA models manufactured before 08/12/21 order item #4 as a replacement.
 C - Mast used before 08/12/21
 D - Hardware used after 01/06/20
 E - Hardware used before 01/07/20