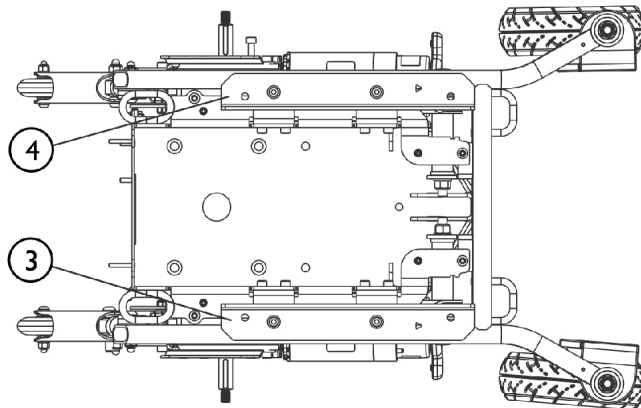
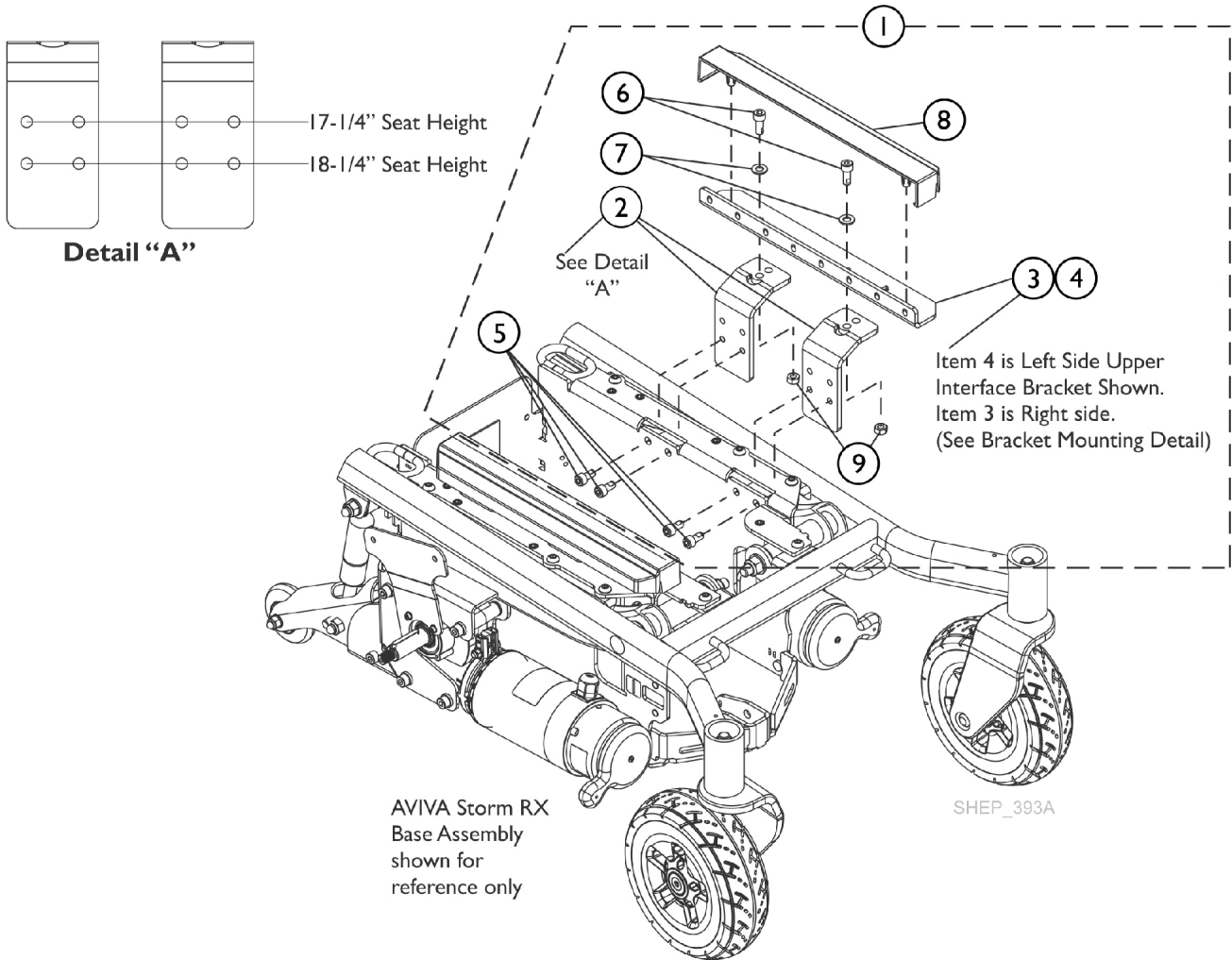


Seat Mounting Upper Interface Brackets and Hardware For Ultra Low Maxx Seating System (Narrow Base)



Seat Mounting Upper Interface Brackets and Hardware For Ultra Low Maxx Seating System (Narrow Base)

Item Number	Note	Part Number	Description	Quantity Per	
				Package	Assembly
1	A	60128936	Kit, Seat Mounting Upper Interface Brackets and Hardware, Narrow	1	1
2			Bracket, Seat Adjustment, Black, Narrow	1	4
3			Bracket, Upper Interface, Black - Right	1	1
4			Bracket, Upper Interface, Black - Left	1	1
5			Screw, Socket Head Cap w/ Patch (M8 x 1.25 x 16mm)	1	8
6			Screw, Socket Head w/ Patch (M8 x 1.25 x 20mm)	1	4
7			Washer, Black Zinc (11/32 x 11/16 x 1/16")	1	4
8			Cover, Seat Mounting	1	2
9			Nut, Hex (M8)	1	4
			Sheet, Insert Parts Service	1	1

NOTE: A - Includes items 2-9