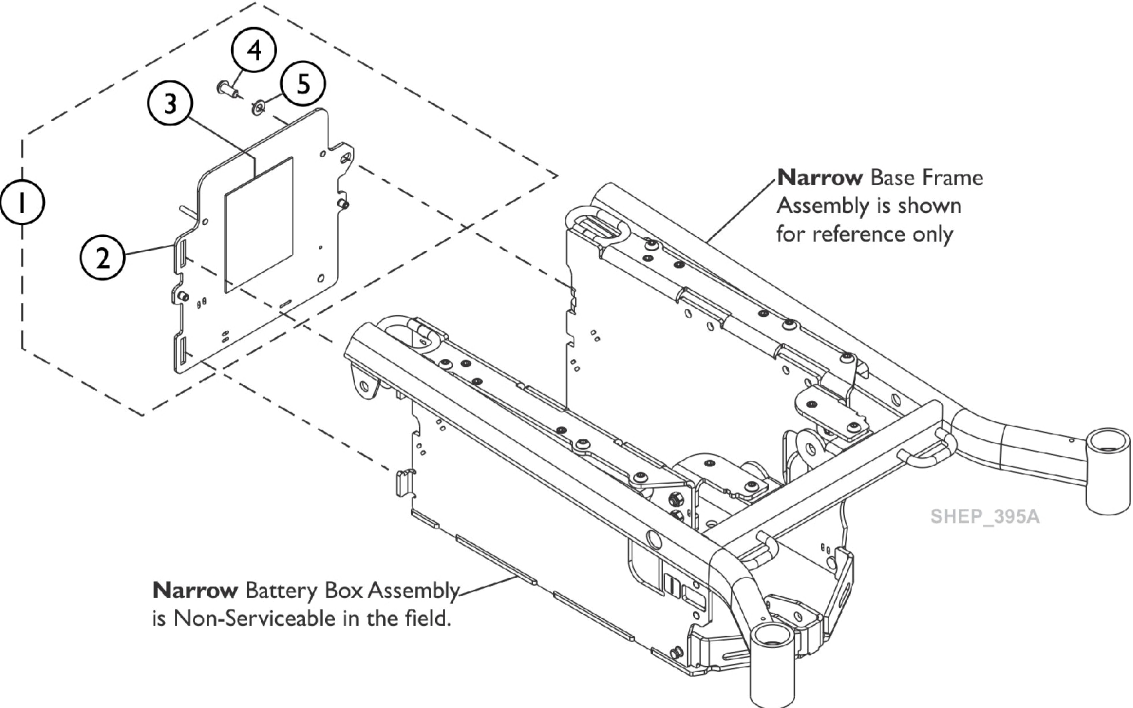
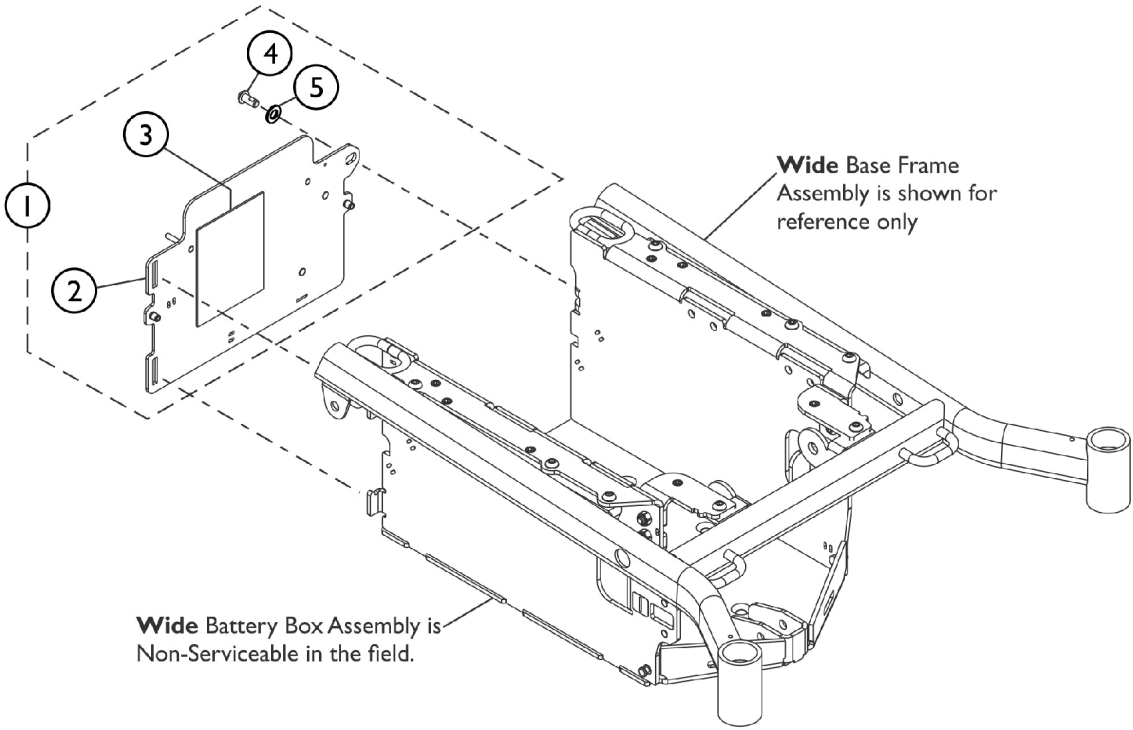


Battery Box Assembly, Rear Plate



Battery Box Assembly, Rear Plate

Item Number	Note	Part Number	Description	Quantity Per	
				Package	Assembly
1	A	60127900	Kit, Battery Box Rear Plate w/ Labels and Hardware, GP24, US	1	1
2			Plate, Battery Rear w/ Threaded Inserts	1	1
3			Label, Warning Battery GP24 Wiring, US	1	1
4			Screw, Socket Button Head Cap w/ Patch (M8 x 1.25 x 18mm)	1	1
5			NLA - Washer, Steel (8.4mm x 16mm x 1.6mm)	1	1
			Sheet, Insert Parts Service	1	1
1	B	60127901	Kit, Battery Box Rear Plate w/ Labels and Hardware, GP24, CA	1	1
2			Plate, Battery Rear w/ Threaded Inserts	1	1
3			Label, Warning Battery GP Wiring, CA	1	1
4			Screw, Socket Button Head Cap w/ Patch (M8 x 1.25 x 18mm)	1	1
5			NLA - Washer, Steel (8.4mm x 16mm x 1.6mm)	1	1
			Sheet, Insert Parts Service	1	1
1	C	60128933	Kit, Battery Box Rear Plate w/ Labels and Hardware, M50, US	1	1
2			Plate, Battery Rear w/ Threaded Inserts, Narrow	1	1
3			Label, Warning Battery M50 Wiring, US	1	1
4			Screw, Socket Button Head Cap w/ Patch (M8 x 1.25 x 18mm)	1	1
5			NLA - Washer, Steel (8.4mm x 16mm x 1.6mm)	1	1
			Sheet, Insert Parts Service	1	1
1	D	60128934	Kit, Battery Box Rear Plate w/ Labels and Hardware, M50, CA	1	1
2			Plate, Battery Rear w/ Threaded Inserts, Narrow	1	1
3			Label, Warning Battery M50 Wiring, FC	1	1
4			Screw, Socket Button Head Cap w/ Patch (M8 x 1.25 x 18mm)	1	1
5			NLA - Washer, Steel (8.4mm x 16mm x 1.6mm)	1	1
			Sheet, Insert Parts Service	1	1

NOTE: A - Includes items 2-5 and used for United States, GP24 Batteries.
 B - Includes items 2-5 and used for Canada (French Canadian), GP24 Batteries.
 C - Includes items 2-5 and used for United States, M50 Batteries.
 D - Includes items 2-5 and used for Canada (French Canadian), M50 Batteries.