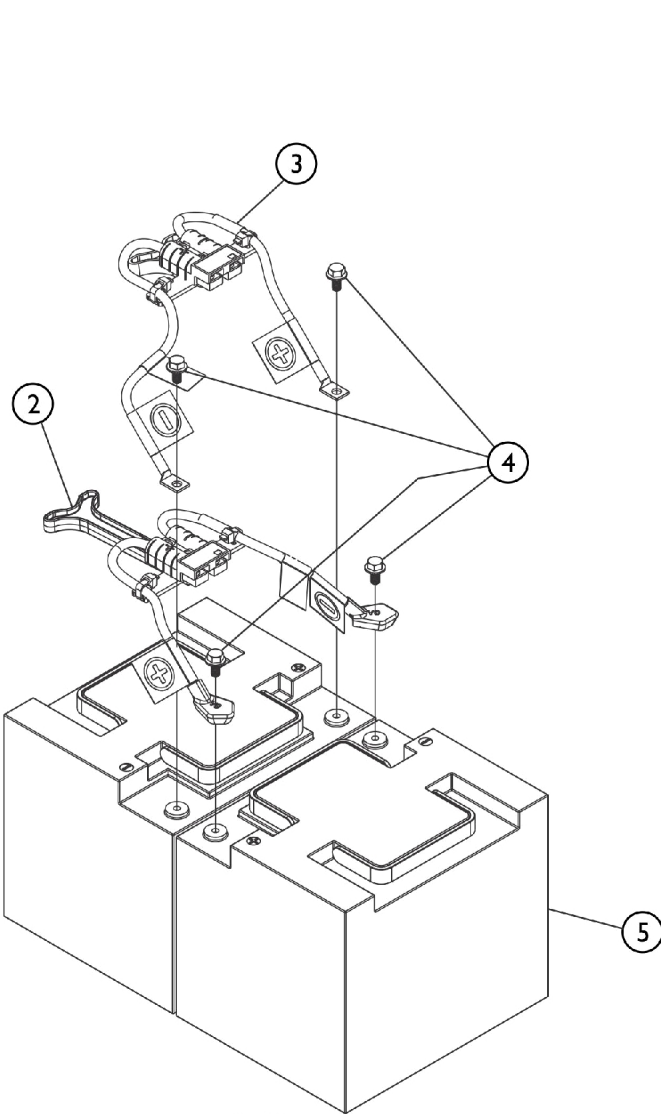
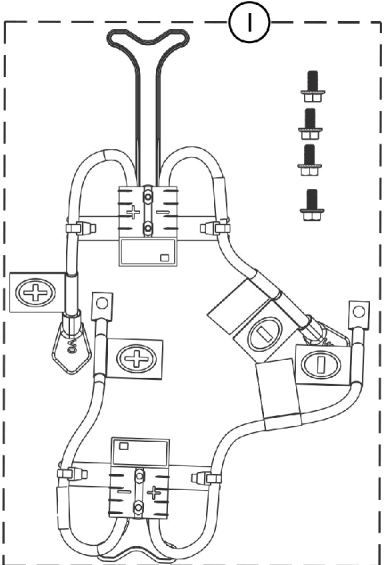


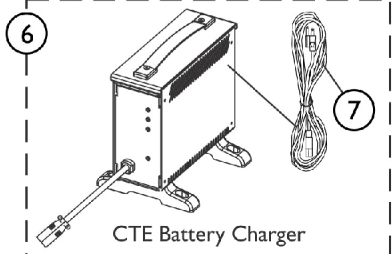
Battery Charger and Battery Harnesses M50 Batteries



SHEP_396A



M50 Battery Harnesses and Hardware



CTE Battery Charger

Battery Charger and Battery Harnesses M50 Batteries

Item Number	Note	Part Number	Description	Quantity Per	
				Package	Assembly
1	A	60128932	Kit, Battery Harnesses w/ Hardware, M50	1	1
2			Harness, Battery Front w/ Handle	1	1
3			Harness, Battery Rear w/ Handle	1	1
4			Screw, Flat Head Cap Serrated (M6 x 1 x 10mm)	1	4
			Sheet, Insert Parts Service	1	1
5		60128908	Battery, 12V 50Ah C20, M50	1	2
6	B	60102598	Kit, Charger, Battery, 8 Amp. 115vac (Off Board)	1	1
			Single Mode Round Plug w/ AC Power Line Cord		
7		60102582	Kit, Cord, AC Power, 115VAC, 3 Prong On-Board (6' 6-1/2" L)	1	1

NOTE: A - Includes items 2-4.
 B - CTE charger is standard on-chair. Used on Gel Cell or AGM (Absorbed Glass Mat) batteries.