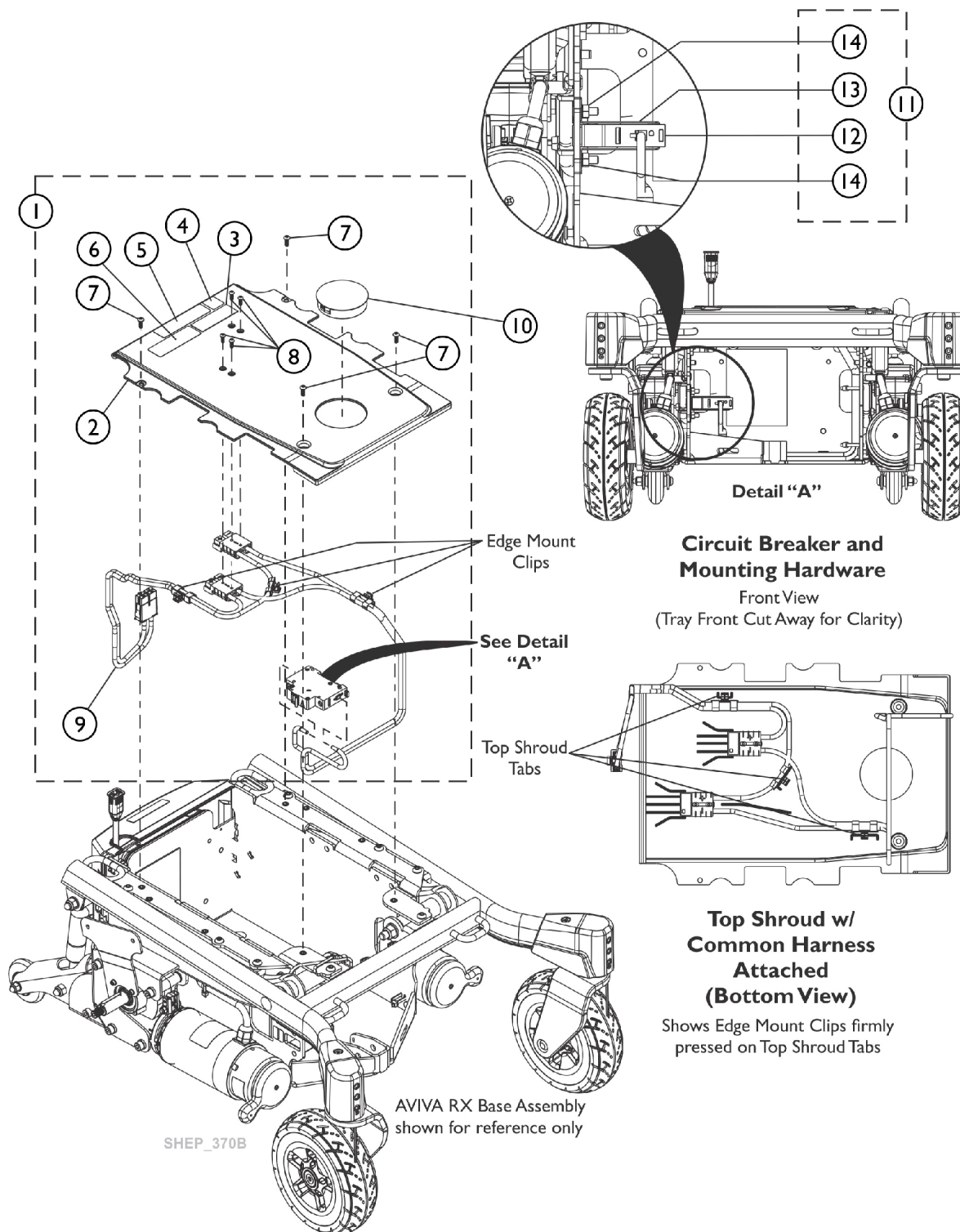


Top Shroud w/ Common Harness and Circuit Breaker



Top Shroud w/ Common Harness and Circuit Breaker

Item Number	Note	Part Number	Description	Quantity Per	
				Package	Assembly
1	A	60127911	Kit, Top Shroud w/ Harness and Hardware, Wide	1	1
2			Shroud, Top, Wide	1	1
3			Label, Prop 65	1	1
4			Label, MR Unsafe	1	1
5			Label, Information, Address, Read Manual	1	1
6			Label, Patent	1	1
7			Screw, Socket Button Head Cap (M5 x 16)	1	4
8			Screw, Thread Forming (#8-18 x 1/2")	1	4
9			Harness, Common, GP24	1	1
			Sheet, Insert Parts Service	1	1
1	A	60128937	Kit, Top Shroud w/ Harness and Hardware, Narrow	1	1
2			Shroud, Top, Narrow	1	1
3			Label, Prop 65	1	1
4			Label, MR Unsafe	1	1
5			Label, Information, Address, Read Manual	1	1
6			Label, Patent	1	1
7			Screw, Socket Button Head Cap (M5 x 16)	1	4
8			Screw, Thread Forming (#8-18 x 1/2")	1	4
9			Harness, Common, M50	1	1
			Sheet, Insert Parts Service	1	1
10		60127948	Kit, Locking Plug Cap	1	1
			Cap, Locking Plug	1	1
			Sheet, Insert Parts Service	1	1
11	B	60127917	Kit, Circuit Breaker, 63A/C and Hardware	1	1
12			Circuit Breaker, 63A	1	1
13			Bracket, Circuit Breaker	1	1
14			Nut (M6 x 1mm)	1	2
			Sheet, Insert Parts Service	1	1

NOTE: A - Includes items 2-9. Edge Mount Clips come attached to the Harness and not sold separately.
 B - Includes items 12-14.