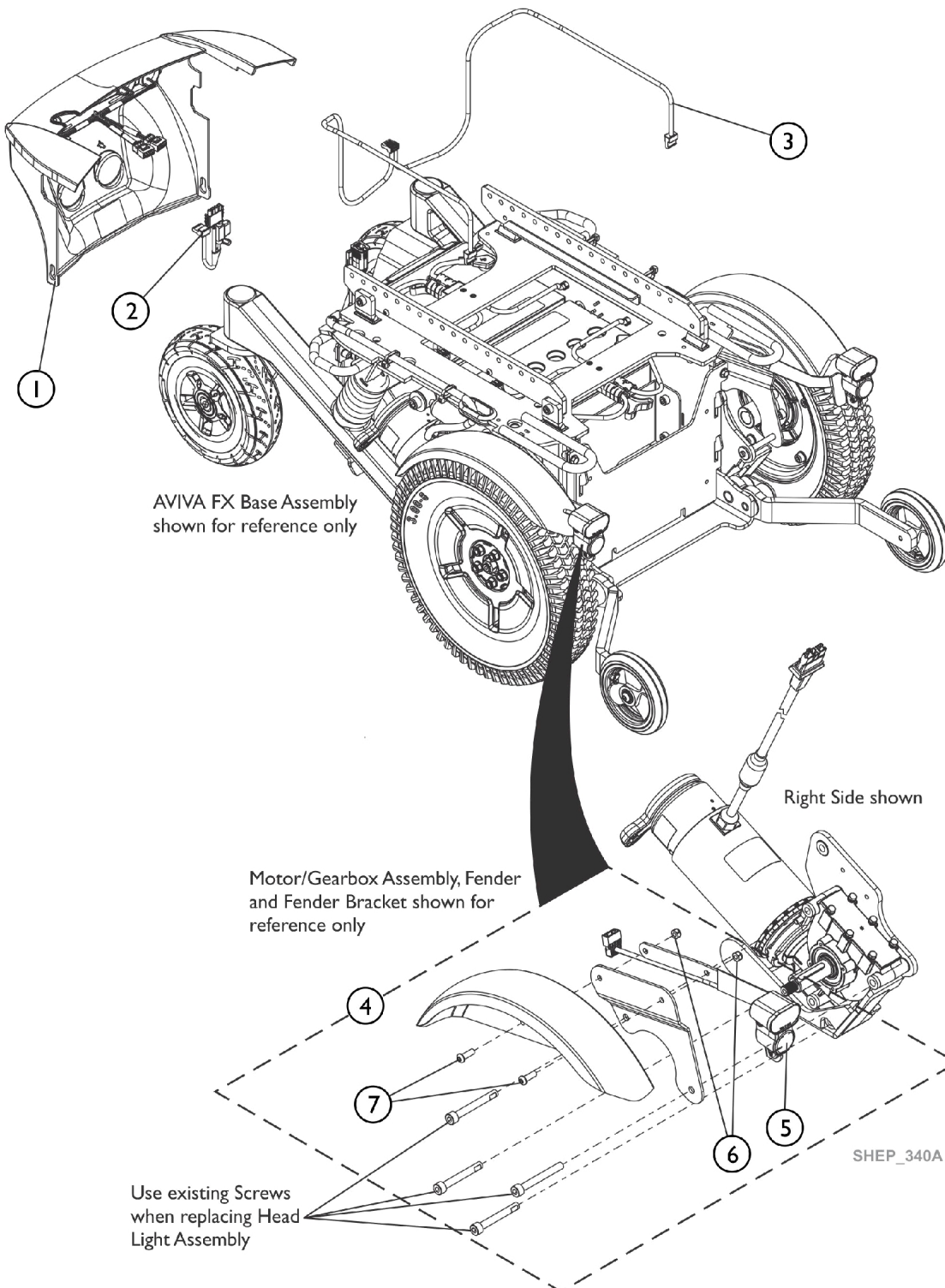


# Light System



# Light System

Item Number	Note	Part Number	Description	Quantity Per	
				Package	Assembly
1	A	60130236	Kit, Shroud, Rear Lower w/ Lights	1	1
			Shroud, Rear Lower	1	1
			Decal, Invacare Medallion, Reflective - Large	1	1
			Reflector, Red	1	2
			Label, Warning Motor/SSD Gearbox Replacement	1	1
			Harness, Rear Lights, AVIVA FX	1	1
			Sheet, Insert Parts Service	1	1
2		60124848	Kit, Cable, Power Light	1	1
3		60124382	Kit, Cable, Front Lights	1	1
4	C,B	60124884	Kit, Head Light Assembly w/ Hardware - Right	1	1
5			Light Assembly - Right	1	1
6			Locknut (M6)	1	2
7			Screw, Socket Button Head Cap (M6 x 1 x 18mm)	1	2
4	C,B	60124885	Kit, Head Light Assembly w/ Hardware - Left	1	1
5			Light Assembly - Left	1	1
6			Locknut (M6)	1	2
7			Screw, Socket Button Head Cap (M6 x 1 x 18mm)	1	2
<p>NOTE: A - For exploded detail view of the Rear Lower Shroud w/ Lights see page titled "Shrouds, Top Rear and Lower Rear"            B - Includes items 5-7            C - NOTE: The top two Motor Mounting Screws that attach the Fender Bracket and Light Assembly are longer than the two bottom Motor Mounting Screws.</p>					