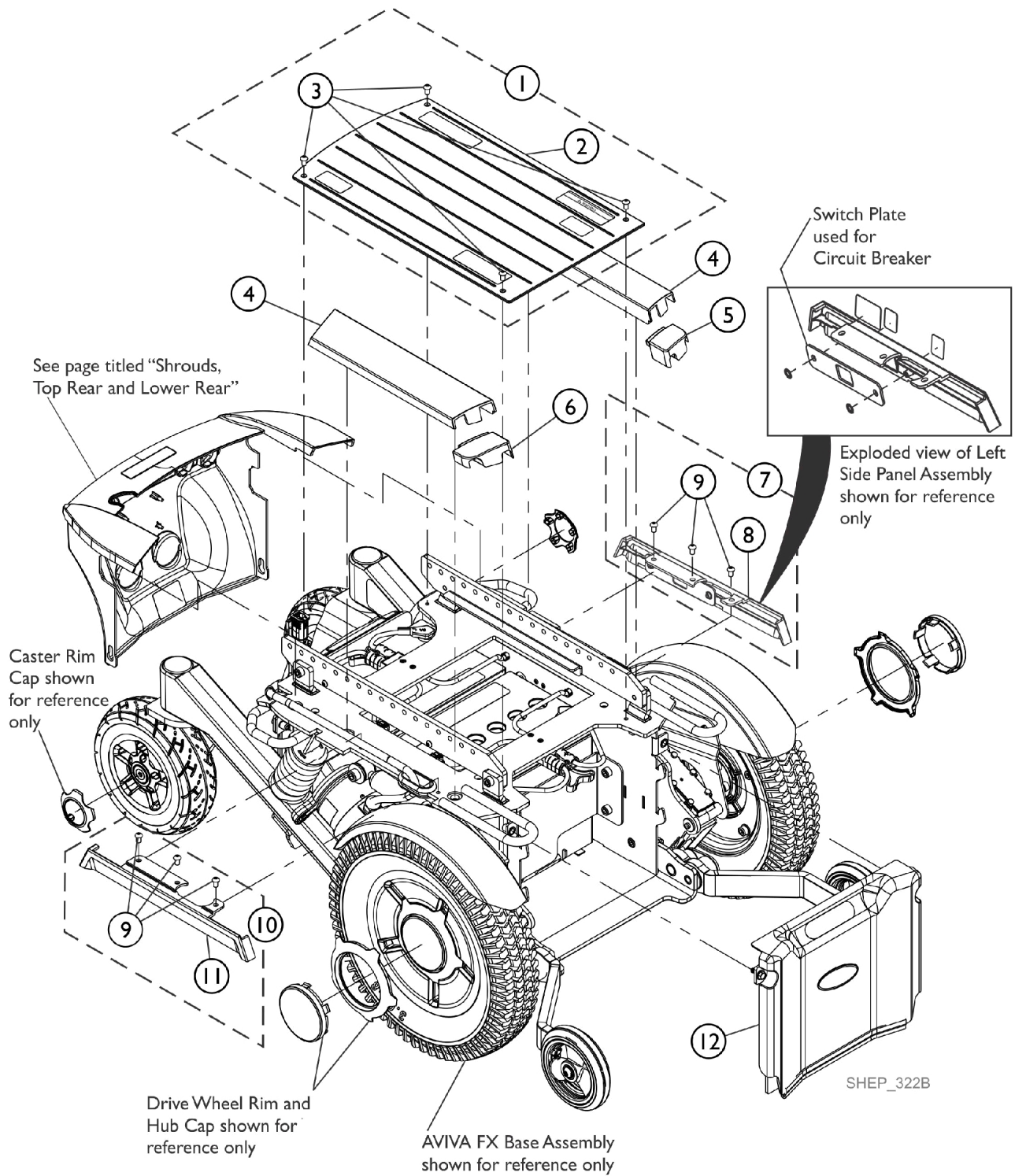


Shrouds, Polycarbonate



Shrouds, Polycarbonate

Item Number	Note	Part Number	Description	Quantity Per	
				Package	Assembly
1	A	60130170	Kit, Shroud, Top w/ Labels and Hardware	1	1
4		See Chart	Item #4 Side Rail Shroud Kit	1	1
4		See Chart	Item #4 Side Rail Shroud Kit (continued)	1	1
5		60124335	Kit, Shroud, Cap Front - Left	1	1
6		60124336	Kit, Shroud, Cap Front - Right	1	1
7	B	60130279	Kit, Shroud, Panel Side w/ Labels and Hardware - Left	1	1
10	C	60130278	Kit, Shroud, Panel Side w/ Labels and Hardware - Right	1	1
12		60130234	Kit, Shroud, Front w/ Decal	1	1

NOTE: A - Includes items 2 and 3
 B - Includes items 8 and 9. Also includes the Switch Plate already attached for the Circuit Breaker (not shown).
 C - Includes items 9 and 11

Item #4 Side Rail Shroud Kit

Description	Obsidian Black	Ruby Red	Denim Navy	Peacock Blue	Purple Passion	Lime Twist
Kit, Shroud, Rail Side, Right or Left	60130280	60130281	60130282	60130283	60130341	60130342
	See Note(s) A	See Note(s) A	See Note(s) A	See Note(s) A	See Note(s) A	See Note(s) A

NOTE: A - Side Rail Shroud can accommodate the right or left side.

Item #4 Side Rail Shroud Kit (continued)

Description	Pink Flamingo	Artic Blue
Kit, Shroud, Rail Side, Right or Left	60130343	60130344
	See Note(s) A	See Note(s) A

NOTE: A - Side Rail Shroud can accommodate the right or left side.