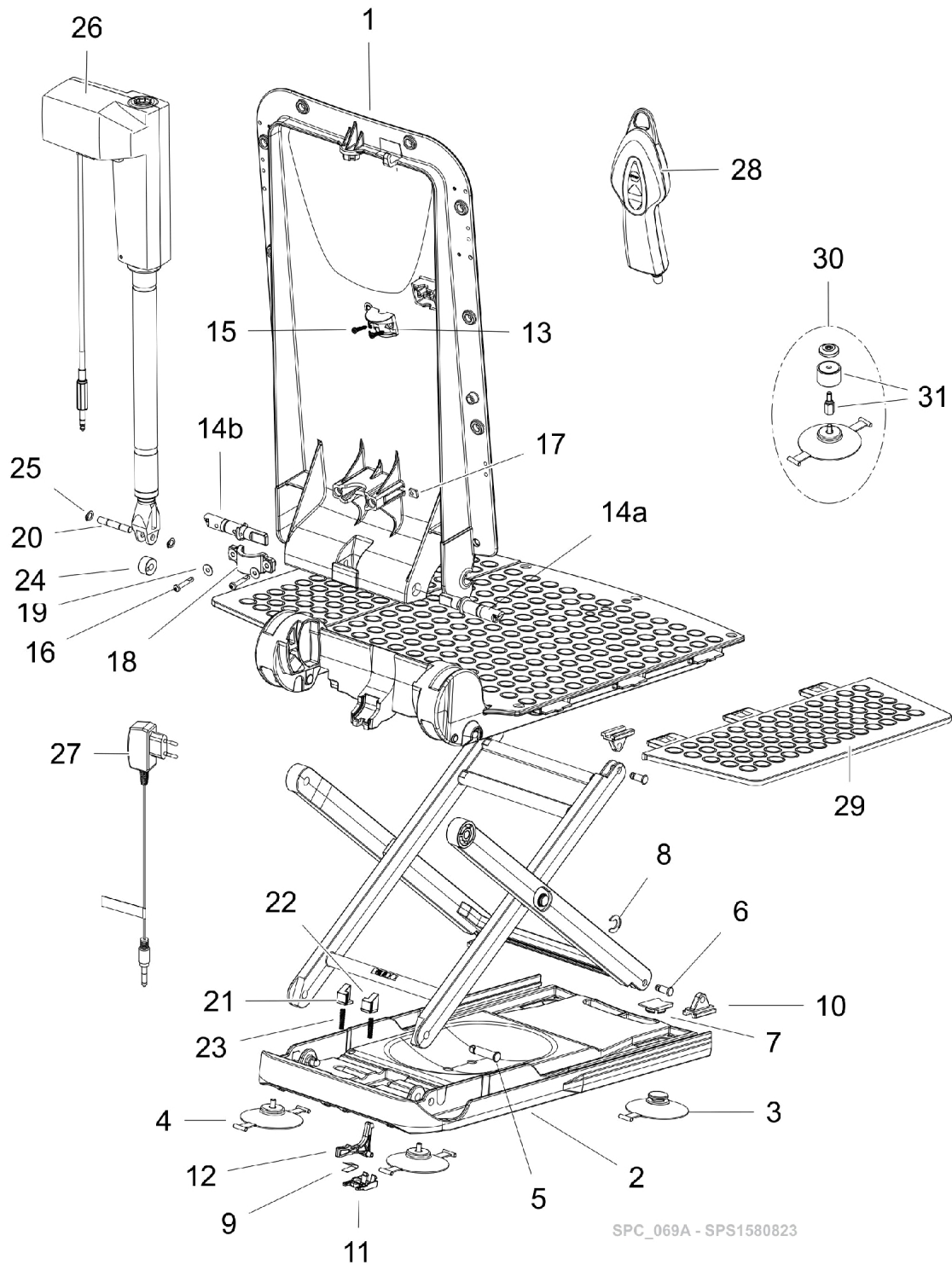


Aquatec Orca Bath Lift



SPC_069A - SPS1580823

Aquatec Orca Bath Lift

Item Number	Note	Part Number	Description	Quantity Per	
				Package	Assembly
		16606	Cover, Seat, White	1	1
		1470765	Cover, Seat, Blue	1	1
		16604	Cover, Backrest, White	1	1
		1470766	Cover, Backrest, Blue	1	1
		1470576	Cover Set, Seat and Backrest, White	1	1
		1470767	Cover Set, Seat and Backrest, Blue	1	1
3		15072	Cups, Suction with Toggle (Pair)	1	1
3-4		15353	Cups, Suction, Screw-In and Toggle (Set) (8 cm)	1	1
4		15071	Cups, Suction, Screw-in (Pair)	1	1
11		16448	Latch, Bushing	1	1
12		16449	Latch	1	1
15		15348	Screws, Phone Jack (40 x 22)	1	1
20		16793	Axle	1	1
21		16791	Locking - Left	1	1
22		16792	Locking - Right	1	1
23		16794	Pressure Spring for Locking	1	1
24		16450	Pulley	1	1
25		16456	Ring, Retaining, A2	1	1
26		16782	Actuator, Aquatec R	1	1
28		1470902	Hand Control, Complete	1	1
29		15892	Flap, Side with Film Hinge	1	1
30		15170	Kit, Conversion Height Adapter (2 cm)	4	1
31		14694	Adapters, Height (Set)	4	1

Items not listed are non-saleable