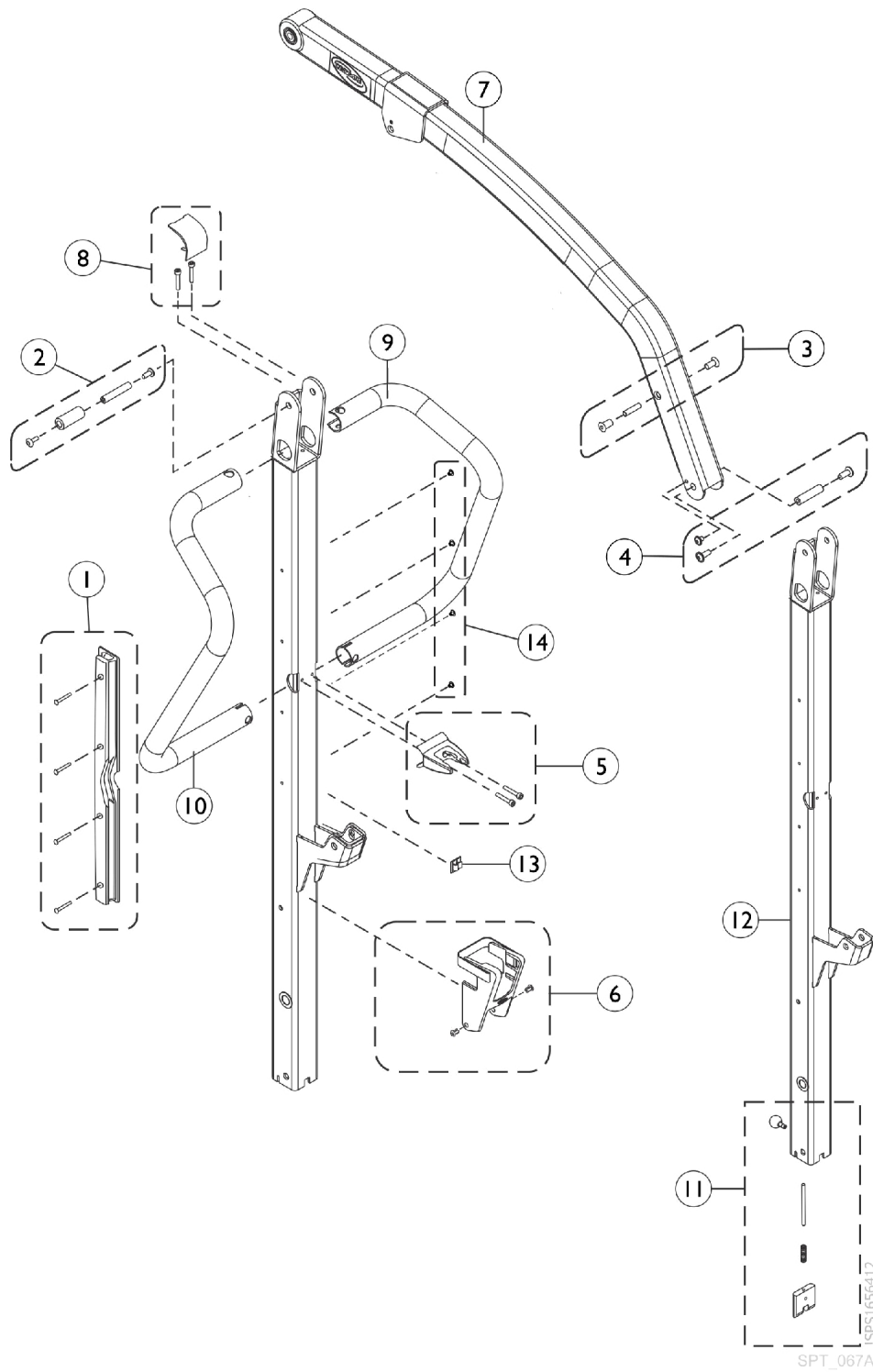


Mast and Boom Assembly, Foldable



Mast and Boom Assembly, Foldable

Item Number	Note	Part Number	Description	Quantity Per	
				Package	Assembly
1		SP1651253	Kit, Cable Cover	1	1
2		SP1651254	Kit, Mast/Boom Articulation	1	1
3		SP1651255	Kit, Hardware, Damper	1	1
4		SP1651256	Kit, Spreader Bar Articulation	1	1
5		SP1651257	Kit, Actuator Holder, Birdie EVO XPLUS	1	1
6		SP1672804	Kit, Spreader Bar Holder	1	1
7		SP1671576	Boom, Birdie EVO XPLUS w/ Labels	1	1
8		SP1672805	Kit, Hardware, Push Bar	1	1
9		SP1651271	Push Bar - Left	1	1
10		SP1651272	Push Bar - Right	1	1
11		SP1651273	Kit, Locking, Foldable Mast	1	1
13		SP1426680	Clips, Cable (Pkg. of 2)	2	1
14		SP1654968-703 5	Plug (M5) (Pkg. of 4)	4	1

Item #12 Foldable Mast for Birdie EVO XPLUS is Non-Saleable