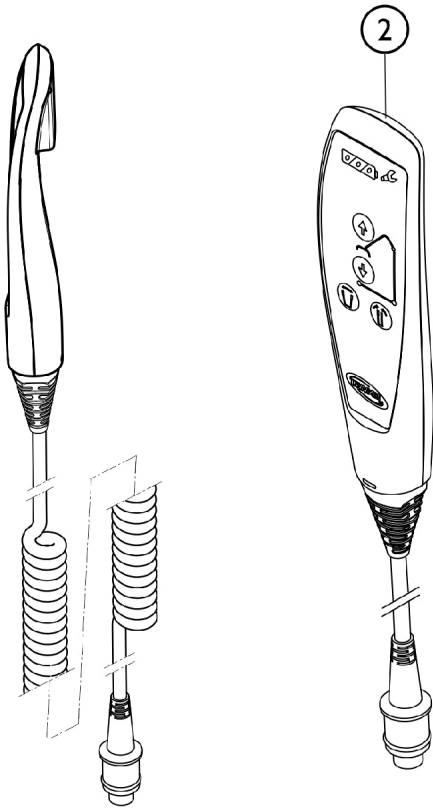
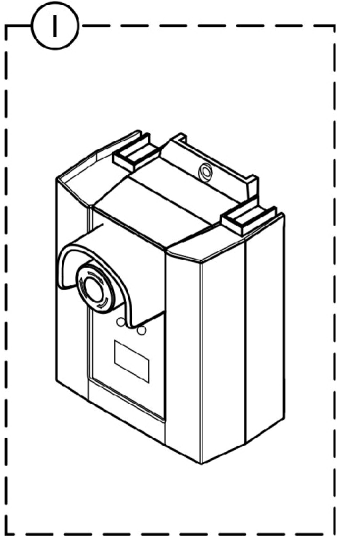


Control Units and Pendant Hand Controls



SPT_062C

Control Units and Pendant Hand Controls

Item Number	Note	Part Number	Description	Quantity Per	
				Package	Assembly
1		SP1664176	Control Unit, 2 Channels CBJ-Care, Electrical Leg (500 Lbs.)	1	1
2	A	SP60121104	Pendant, Hand Control, Up/Down/Leg Buttons w/ Magnet & Battery Indicator	1	1

NOTE: A - Pendant with Battery Indicator is only available as a service part option for Birdie EVO XPLUS