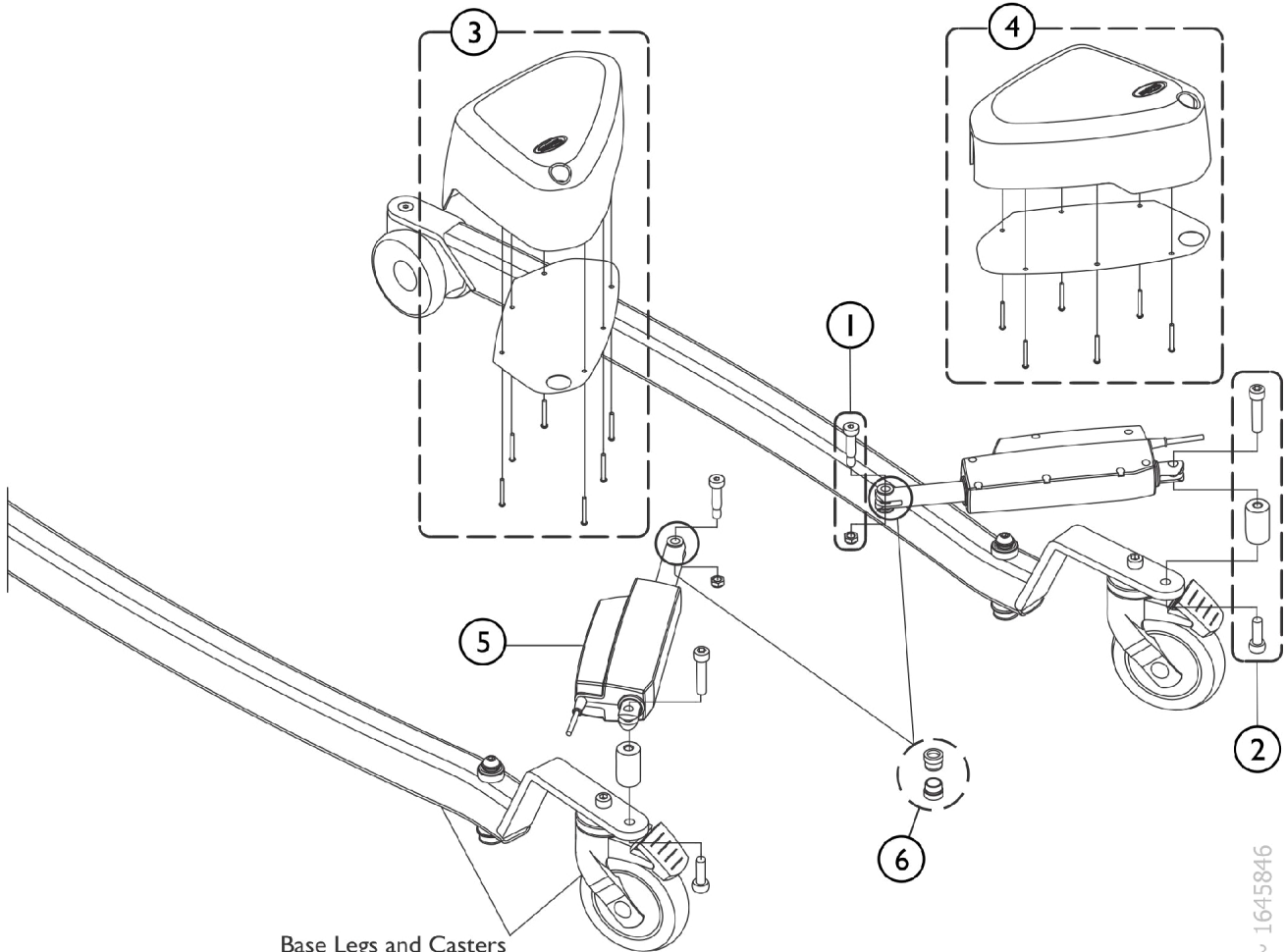


# Actuator for Electrical Leg Spread



Base Legs and Casters  
shown for reference only

ISPS1650829 ~ 1645846

SPT\_061A

## Actuator for Electrical Leg Spread

Item Number	Note	Part Number	Description	Quantity Per	
				Package	Assembly
1		SP1651231	Kit, Hardware, Actuator to Base Connection	1	1
2		SP1660539	Kit, Hardware, Actuator to Leg Connection	1	1
3		SP1651233	Kit, Leg Spread Actuator Cover - Left	1	1
4		SP1651234	Kit, Leg Spread Actuator Cover - Right	1	1
5		SP1648539-900 5	Actuator, LA12 Leg Spread (Pair)	2	1
6		SP60121879-90 05	Bushing, Plastic, Linak LA12 Actuator (Pkg. of 2)	2	1