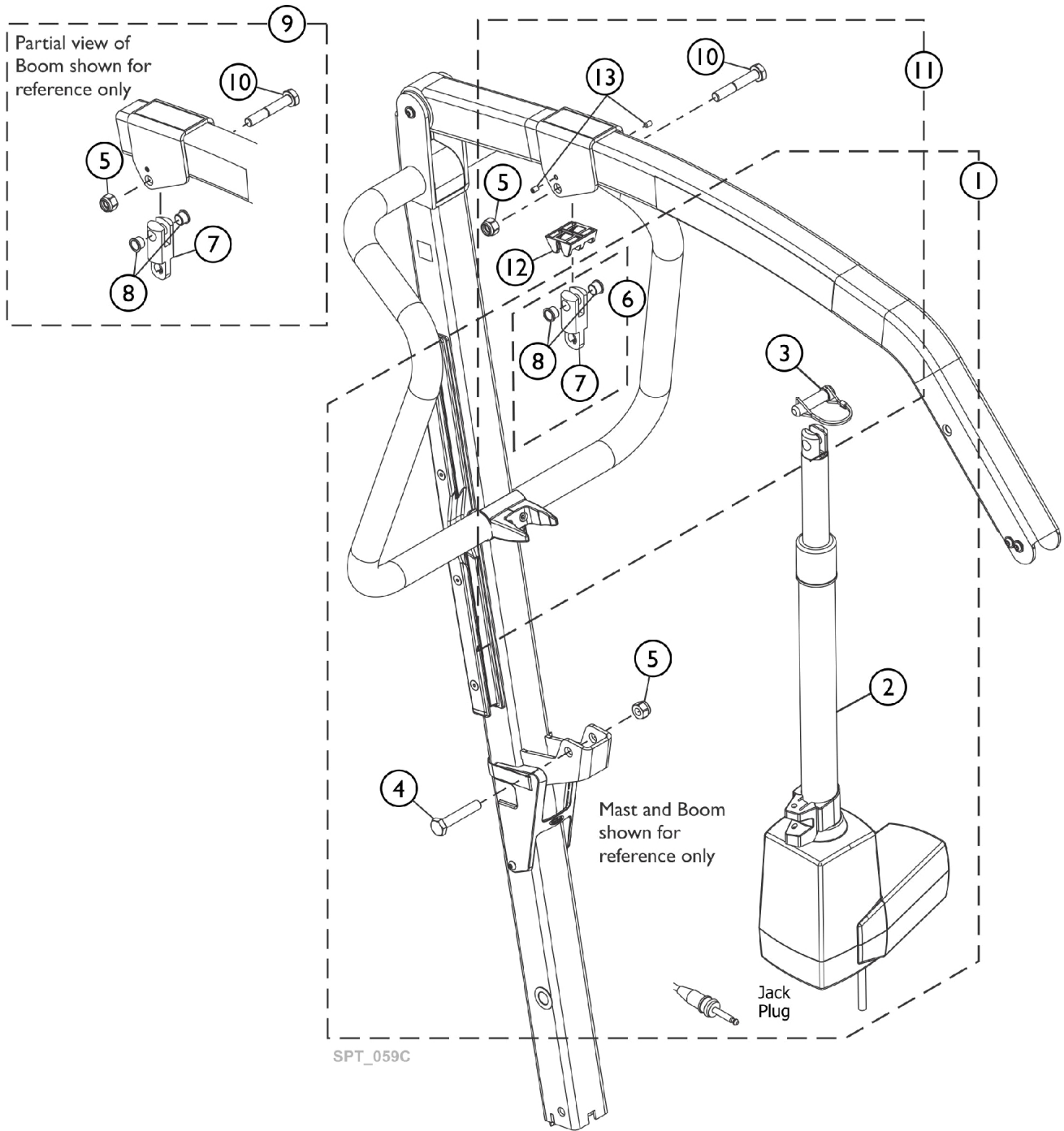


Actuator for Boom



Actuator for Boom

Item Number	Note	Part Number	Description	Quantity Per	
				Package	Assembly
1	A	SP1671571	Kit, Boom Actuator w/ Hardware, LA34 Fast Motor w/ Jack Plug, BEVO XPLUS, US	1	1
6	B	SP1671573	Extension w/ Bushings, LA34, US	1	1
9	C	SP1671574	Kit, LA34 Extension, US	1	1
11	D	SP1671572	Kit, Boom Actuator Mounting Hardware, BEVO XPLUS, US	1	1
	E	SP1656588	Plastic, Anti-Pinching w/ Set Screws (M5 x 8)	1	1
3		SP60129718	Locking Pin, Birdie XPLUS, US	1	1
NOTE: A - Includes items 2-5, 7 and 8. B - Includes items 7 and 8. C - Includes items 5, 7, 8 and 10. D - Includes items 3, 5, 7, 8, 10, 12 and 13. E - Includes items 12 and 13.					