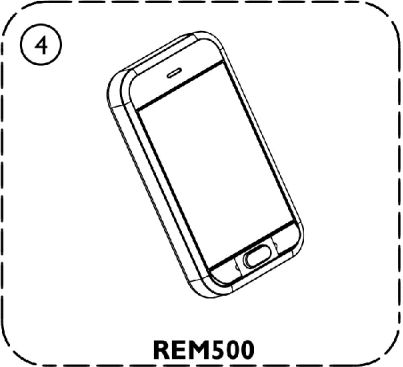
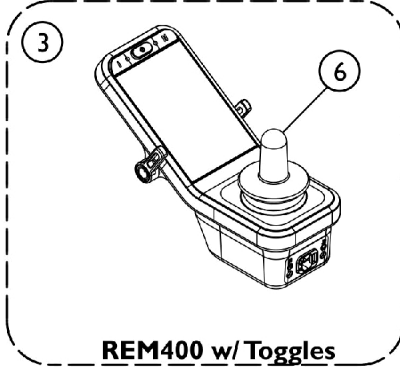
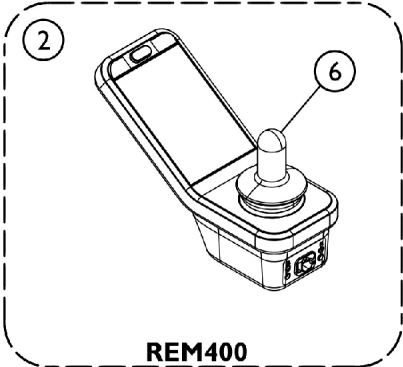
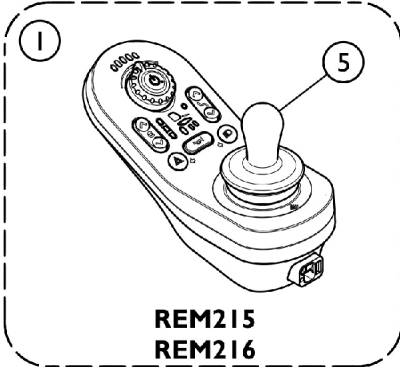
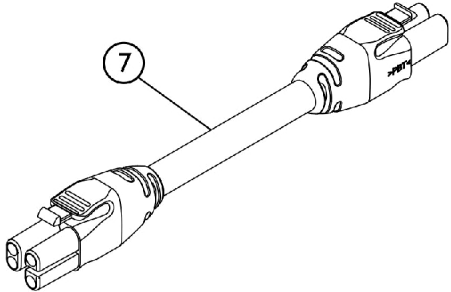
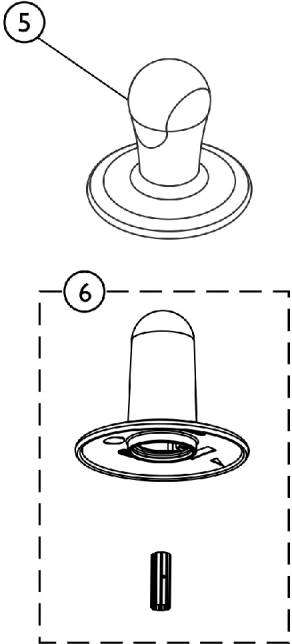


# Remotes, Displays and Bus Cables



SHEP\_381A



## Remotes, Displays and Bus Cables

Item Number	Note	Part Number	Description	Quantity Per	
				Package	Assembly
1	A	60124979	Kit, LiNX Remote DLX-REM215	1	1
1	B	60102504	Kit, LiNX Remote DLX-REM216	1	1
2	B	60102505	Kit, LiNX Remote DLX-REM400 Touch Screen	1	1
3	B	60108460	Kit, LiNX Remote DLX-REM400 Touch Screen w/ Toggles	1	1
4	B	60102506	Kit, LiNX Remote DLX-REM500 Display Only	1	1
5	C	GPL55470	Knob, Joystick (JS4REM050)	1	1
6		GPA55475	Knob, Joystick (DLX-REM400-A)	1	1
7	D	60102530	Kit, LiNX Bus Cable (PWH) 1500mm 59-1/16" (GLM-BUS150)	1	1
			LiNX Bus Cable (PWH) 1500mm 59-1/16" (GLM-BUS150)	1	1
			Sheet, Insert Parts Service	1	1
7	E	60102531	Kit, LiNX Bus Cable (PWH) 1700mm 66-59/64" (GLM-BUS170)	1	1
			LiNX Bus Cable (PWH) 1700mm 66-59/64" (GLM-BUS170)	1	1
			Sheet, Insert Parts Service	1	1
<b>NOTE:</b> A - Drive, 1 or 2 Actuators, Lights B - Drive, Actuators 2 or more, Lights C - Used for all Remotes except DLX-REM400 D - Used for REM215, REM216, REM400 Remotes E - Used for REM500 Remote					