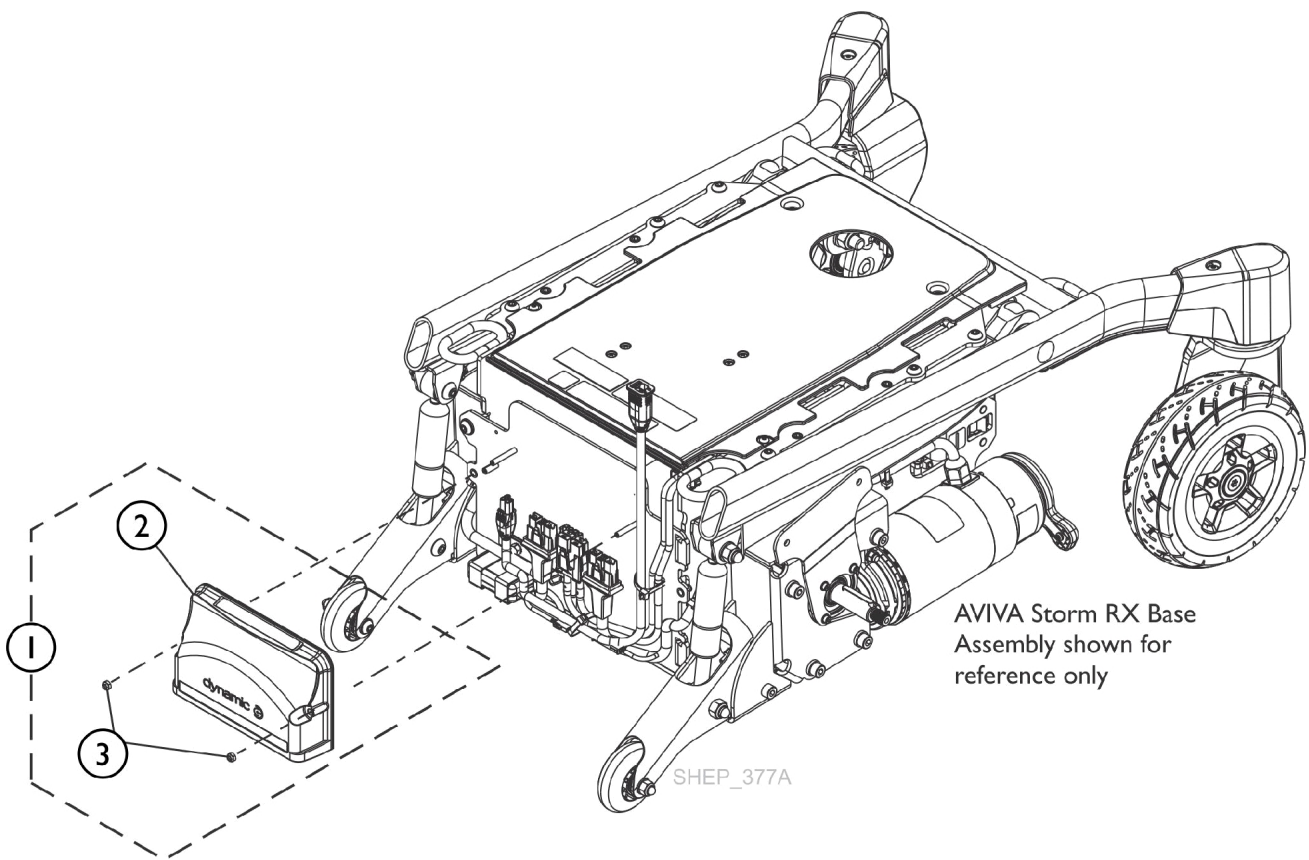


LiNX Power Module 120AL and Mounting Hardware

NOTE: When installing a new Power Module, the Motors will need to be calibrated with Invacare Tech. Services. An LAK is required to complete the calibration.



LiNX Power Module 120AL and Mounting Hardware

NOTE: When installing a new Power Module, the Motors will need to be calibrated with Invacare Tech. Services. An LAK is required to complete the calibration.

Item Number	Note	Part Number	Description	Quantity Per	
				Package	Assembly
1	A	60124961	Kit, LiNX Power Module 120AL and Mounting Hardware	1	1
2			LiNX Power Module 120AL	1	1
3			Locknut (M5 x .8mm)	1	2

NOTE: A - Includes items 2 and 3