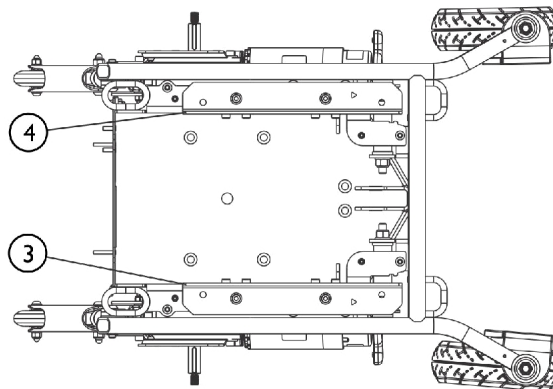
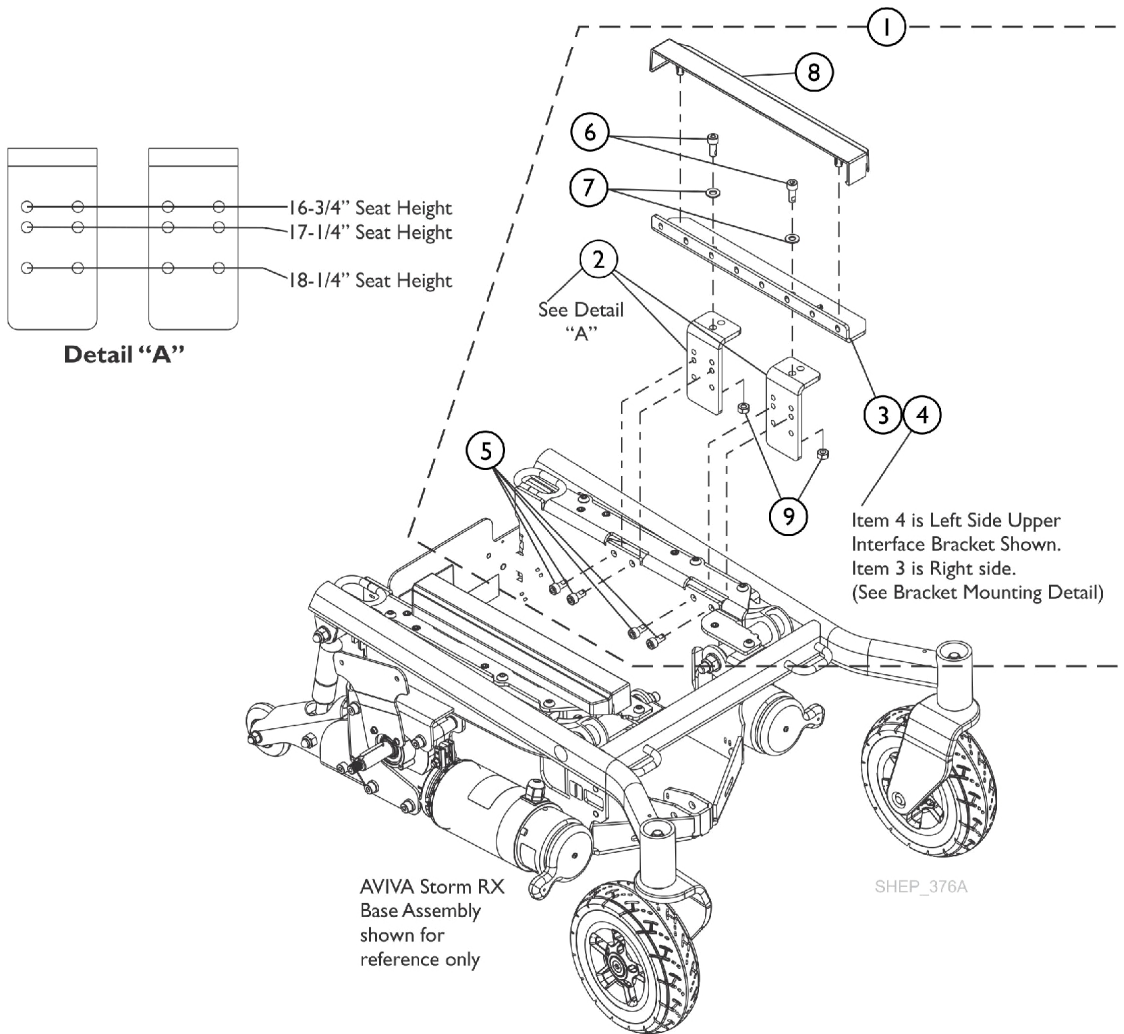


# Seat Mounting Upper Interface Brackets and Hardware For Ultra Low Maxx Seating System (Wide Base)



**Bracket Mounting Detail**

# Seat Mounting Upper Interface Brackets and Hardware For Ultra Low Maxx Seating System (Wide Base)

Item Number	Note	Part Number	Description	Quantity Per	
				Package	Assembly
1	A	60127915	Kit, Seat Mounting Upper Interface Brackets and Hardware, Wide	1	1
2			Bracket, Seat Adjustment, Black, Wide	1	4
3			Bracket, Upper Interface, Black - Right	1	1
4			Bracket, Upper Interface, Black - Left	1	1
5			Screw, Socket Head Cap w/ Patch (M8 x 1.25 x 16mm)	1	8
6			Screw, Socket Head w/ Patch (M8 x 1.25 x 20mm)	1	4
7			Washer, Black Zinc (11/32 x 11/16 x 1/16")	1	4
8			Cover, Seat Mounting	1	2
9			Nut, Hex (M8)	1	4
			Sheet, Insert Parts Service	1	1

NOTE: A - Includes items 2-9