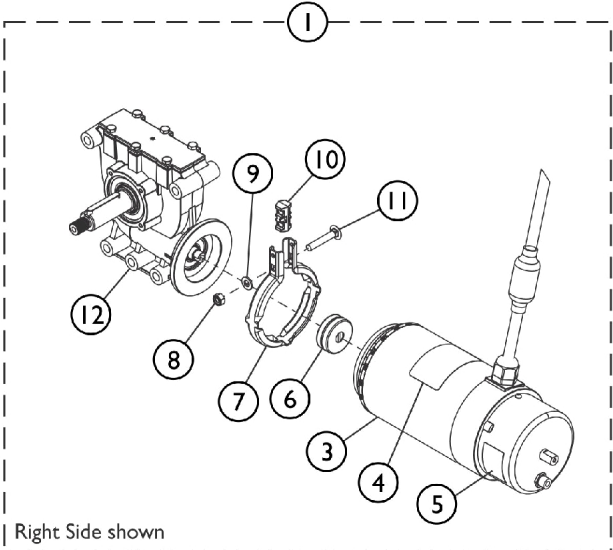
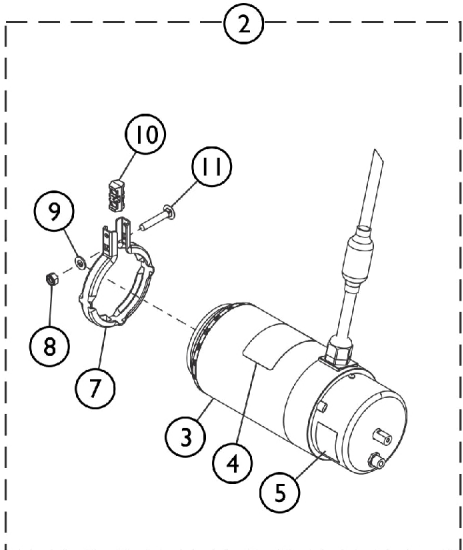


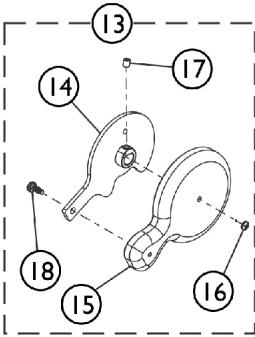
Motors, 4-Pole, SSD Gearbox and Mounting Hardware



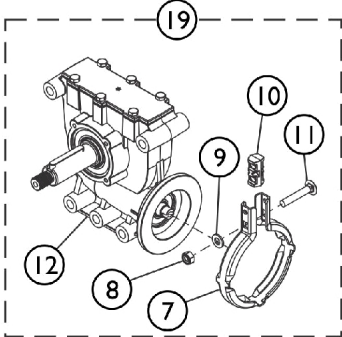
4-Pole Motor/SSD Gearbox Assembly



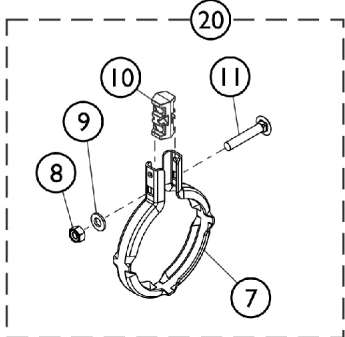
4-Pole Motor Assembly



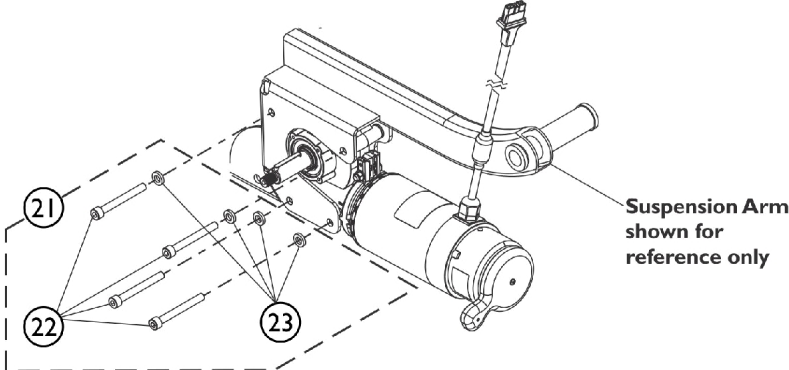
Brake Lever Assembly



SSD Gearbox Assembly



Motor/SSD Gearbox Band Clamp and Hardware Kit



SHEP_369A

Motors, 4-Pole, SSD Gearbox and Mounting Hardware

Item Number	Note	Part Number	Description	Quantity Per	
				Package	Assembly
1	A,G,H	60127908	Kit, 4-Pole Low Speed Motor/18:1 SSD Gearbox Assembly - Right	1	1
			4-Pole Low Speed Motor/18:1 SSD Gearbox Assembly - Right	1	1
			Decal, Motor Warning	1	1
			Label, Push/Drive	1	1
			Sheet, Insert Parts Service	1	1
			Grease, Super Lube (1cc Tube)	1	1
			1	A,G,H	60127909
1	A,G,H,I	60127940	4-Pole Low Speed Motor/ 18:1 SSD Gearbox Assembly - Left	1	1
			Decal, Motor Warning	1	1
			Label, Push/Drive	1	1
			Sheet, Insert Parts Service	1	1
			Grease, Super Lube (1cc Tube)	1	1
			Kit, 4-Pole 5K Motor/23:1 SSD Gearbox Assembly - Right	1	1
			4-Pole 5K Motor/ 23:1 SSD Gearbox Assembly - Right	1	1
1	A,G,H,I	60127941	Decal, Motor Warning	1	1
			Label, Push/Drive	1	1
			Sheet, Insert Parts Service	1	1
			Grease, Super Lube (1cc Tube)	1	1
			Kit, 4-Pole 5K Motor/23:1 SSD Gearbox Assembly - Left	1	1
			4-Pole 5K Motor/ 23:1 SSD Gearbox Assembly - Left	1	1
			Decal, Motor Warning	1	1
2	B,G,H	60127906	Label, Push/Drive	1	1
			Sheet, Insert Parts Service	1	1
			Grease, Super Lube (1cc Tube)	1	1
			Kit, Motor Assembly, 4-Pole Low Speed	1	1
			Motor Assembly, 4-Pole Low Speed	1	1
			Decal, Motor Warning	1	1
			Label, Push/Drive	1	1
			Clamp, Band	1	1
			Locknut (M6 x 1)	1	1
			Washer, Plain (1/4 x 1/2 x 9/16")	1	1
			Spacer, Clamp, Molded	1	1
			Bolt, Round Head Square Neck (M6 x 1 x 35mm)	1	1
			Sheet, Insert Parts Service	1	1
			Grease, Super Lube (1cc Tube)	1	1
2	B,G,H,I	60127939	Kit, Motor Assembly 4-Pole 5K	1	1
2	B,G,H,I	60127939	Motor Assembly, 4-Pole 5K	1	1
			Decal, Motor Warning	1	1
			Label, Push/Drive	1	1
			Clamp, Band	1	1
			Locknut (M6 x 1)	1	1

Motors, 4-Pole, SSD Gearbox and Mounting Hardware

Item Number	Note	Part Number	Description	Quantity Per				
				Package	Assembly			
13	C	60129163	Washer, Plain (1/4 x 1/2 x 9/16")	1	1			
			Spacer, Clamp, Molded	1	1			
			Bolt, Round Head Square Neck (M6 x 1 x 35mm)	1	1			
			Sheet, Insert Parts Service	1	1			
			Grease, Super Lube (1cc Tube)	1	1			
			Kit, Brake Lever Handle and Cap w/ Hardware (Pair)	1	1			
			Lever, Brake, Black - Right	1	1			
			Lever, Brake, Black - Left	1	1			
			Cap, Brake Lever, Motor	1	2			
			Screw, LG Phillips Head (M3.5 x 0.6 x 8mm)	1	2			
			NLA - Screw, Set Socket Cup Point w/ Patch (M5 x .8 x 6mm)	1	2			
			Screw, LG Torx Socket Head Cap SC (M4.5 x 1.59 x 10mm)	1	2			
			Sheet, Insert Parts Service	1	1			
			19	D,G	1179219	Kit, SSD Gearbox Assembly, 18:1 - RWD/FWD-Right & CWD-Left	1	1
						Clamp, Band	1	1
						Locknut (M6 x 1)	1	1
						Washer, Plain (1/4 x 1/2 x 9/16")	1	1
Spacer, Clamp, Molded	1	1						
Bolt, Round Head Square Neck (M6 x 1 x 35mm)	1	1						
Gearbox Assembly, SSD, 18:1 - RWD/FWD-Right & CWD-Left	1	1						
Instruction Sheet, Installation	1	1						
Sheet, Insert Parts Service	1	1						
Grease, Super Lube (1cc Tube)	1	1						
19	D,G	1179220				Kit, SSD Gearbox Assembly, 18:1 - RWD/FWD-Left & CWD-Right	1	1
						Clamp, Band	1	1
						Locknut (M6 x 1)	1	1
						Washer, Plain (1/4 x 1/2 x 9/16")	1	1
						Spacer, Clamp, Molded	1	1
						Bolt, Round Head Square Neck (M6 x 1 x 35mm)	1	1
						Gearbox Assembly, SSD, 18:1 - RWD/FWD-Left & CWD-Right	1	1
			Instruction Sheet, Installation	1	1			
			Sheet, Insert Parts Service	1	1			
			Grease, Super Lube (1cc Tube)	1	1			
			19	D,G,I	1179221	Kit, SSD Gearbox Assembly, 23:1 - RWD/FWD-Right & CWD-Left	1	1
						Clamp, Band	1	1
						Locknut (M6 x 1)	1	1
						Washer, Plain (1/4 x 1/2 x 9/16")	1	1
						Spacer, Clamp, Molded	1	1
						Bolt, Round Head Square Neck (M6 x 1 x 35mm)	1	1
						Gearbox Assembly, SSD, 23:1 - RWD/FWD-Right & CWD-Left	1	1
Instruction Sheet, Installation	1	1						
Sheet, Insert Parts Service	1	1						
Grease, Super Lube (1cc Tube)	1	1						

Motors, 4-Pole, SSD Gearbox and Mounting Hardware

Item Number	Note	Part Number	Description	Quantity Per	
				Package	Assembly
19	D,G,I	1179222	Instruction Sheet, Installation	1	1
			Sheet, Insert Parts Service	1	1
			Grease, Super Lube (1cc Tube)	1	1
			Kit, SSD Gearbox Assembly, 23:1 - RWD/FWD-Left & CWD-Right	1	1
			Clamp, Band	1	1
			Locknut (M6 x 1)	1	1
			Washer, Plain (1/4 x 1/2 x 9/16")	1	1
			Spacer, Clamp, Molded	1	1
			Bolt, Round Head Square Neck (M6 x 1 x 35mm)	1	1
			Gearbox Assembly, SSD, 23:1 - RWD/FWD-Left & CWD-Right	1	1
			Instruction Sheet, Installation	1	1
			Sheet, Insert Parts Service	1	1
20	E	1168884	Grease, Super Lube (1cc Tube)	1	1
			Kit, Motor/SSD Gearbox Band Clamp and Hardware	1	1
			Clamp, Band	1	1
			Locknut (M6 x 1)	1	1
			Washer, Plain (1/4 x 1/2 x 9/16")	1	1
			Spacer, Clamp, Molded	1	1
			Bolt, Round Head Square Neck (M6 x 1 x 35mm)	1	1
			Grease, Super Lube (1cc Tube)	1	1
			Instruction Sheet, Installation	1	1
			Sheet, Insert Parts Service	1	1
			Kit, Motor/SSD Gearbox Mounting Hardware	1	1
22	F	60127914	Screw, Socket Head Cap w/ Patch (M8 x 1.25 x 70mm)	1	4
			Washer, Steel Black Zinc (11/32 x 5/8 x 1/8")	1	4
23	J	1180609	Sheet, Insert Parts Service	1	1
			Grease, Super Lube (1cc Tube)	1	1
			Package, Grease, Super Lube (1cc Tube) (Pkg. of 10)	10	1

NOTE: A - Includes items 3-12, Super Lube Grease and Instruction Sheet.
 B - Includes items 3-5 and 7-11, Super Lube Grease and Instruction Sheet
 C - Includes items 14-18.
 D - Includes items 7-12, Super Lube Grease and Instruction Sheet
 E - Includes items 7-11, Super Lube Grease and Instruction Sheet
 F - Includes items 22, 23 and Super Lube Grease.
 G - Before placing an order, it is recommended to call Invacare's Technical Service Department at (1-800-832-4707) to verify if the Motor, SSD Gearbox or the Motor/SSD Gearbox Assembly is needed.
 H - When installing a new Motor or Motor/Gearbox Assembly, the Motor will need to be calibrated with Invacare Tech. Services. A LAK is required to complete the calibration.
 I - Used for HSMTR High Speed Motor Option.
 J - Not Shown. Super Lube Grease is applied to the Gearbox Output Shaft and sold in a package of 10.