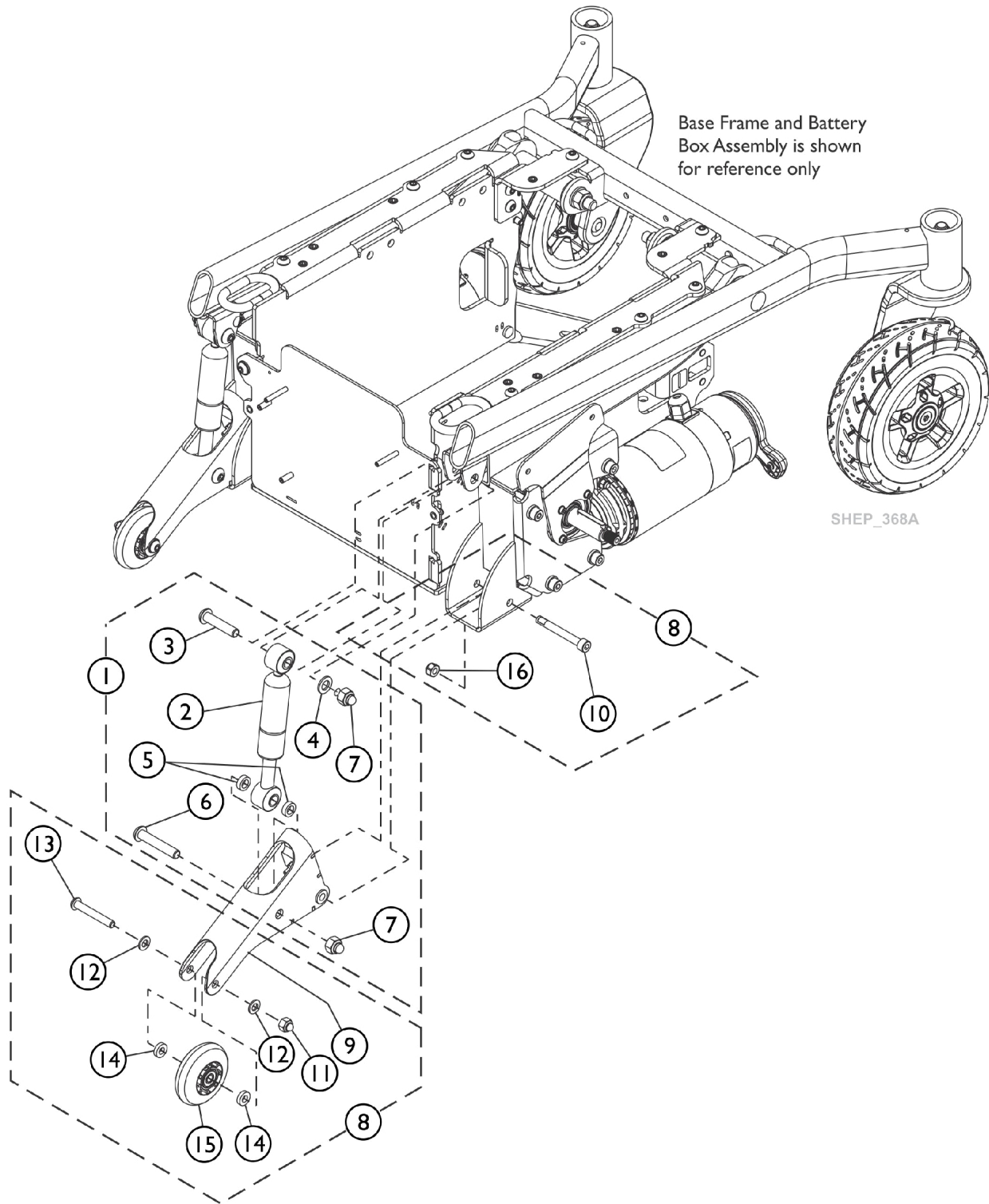


# Suspension Assembly and Anti-Tipper

"Suspension Arm and Mounting Hardware is non-serviceable in the field"



# Suspension Assembly and Anti-Tipper

**"Suspension Arm and Mounting Hardware is non-serviceable in the field"**

Item Number	Note	Part Number	Description	Quantity Per	
				Package	Assembly
1	A	60127903	Kit, Damper Shock w/ Hardware	1	1
2			Shock, Damper	1	1
3			Screw, Socket Button Head Cap (M10 x 1.5 x 45mm)	1	1
4			NLA - Washer, Steel (10mm x 20mm x 2mm)	1	1
5			Spacer, Steel Unthreaded (M10)	1	2
6			Screw, Socket Button Head Cap (M10 x 1.5 x 55mm)	1	1
7			Locknut, Cap (M10 x 1.5)	1	2
			Sheet, Insert Parts Service	1	1
8	B	60127902	Kit, Anti-Tipper Assembly w/ Bumpers	1	1
9			Anti-Tipper Assembly w/ Bumpers	1	1
10			Screw, Socket Head Cap (M8 x 1.25 x 65mm)	1	1
11			Locknut, Cap (M8 x 1.25)	1	1
12			NLA - Washer, Steel (8.4mm x 16mm x 1.6mm)	1	2
13			Screw, Socket Button Head Cap (M8 x 1.25 x 55mm)	1	1
14			Spacer, Steel Unthreaded (M8)	1	2
15			Wheel Assembly (3" x 1")	1	1
16			Locknut (M8)	1	1
			Sheet, Insert Parts Service	1	1
15		1101757	Wheel Assembly (3" x 1")	1	1
NOTE: A - Includes items 2-7 B - Includes items 9-16					
NOTE: "Suspension Arm and Mounting Hardware is non-serviceable in the field"					