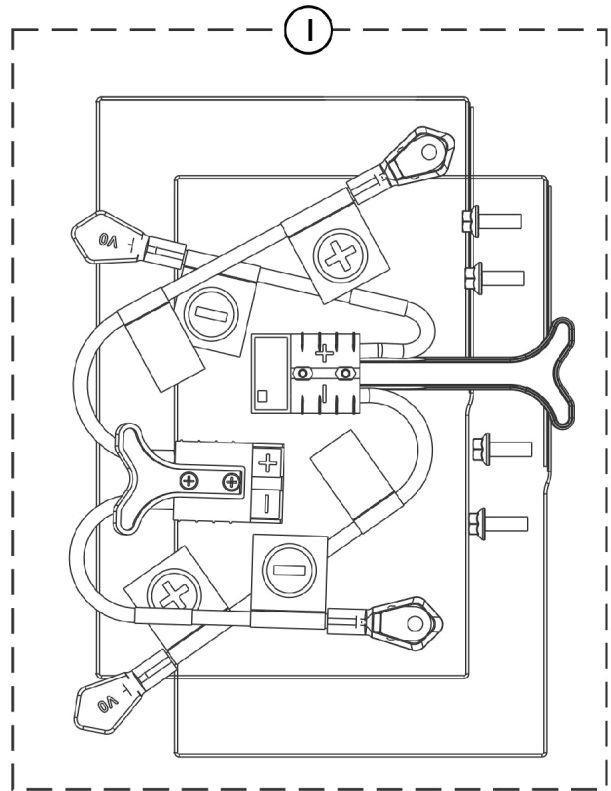
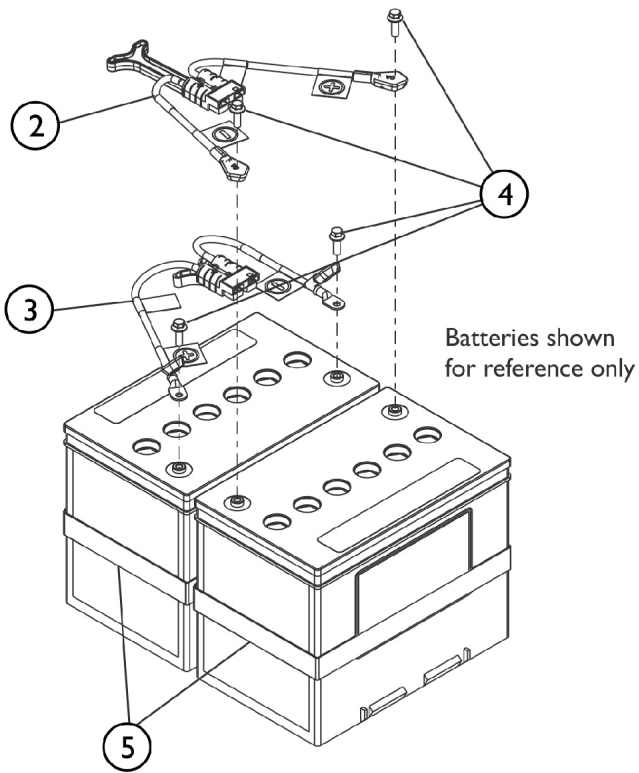
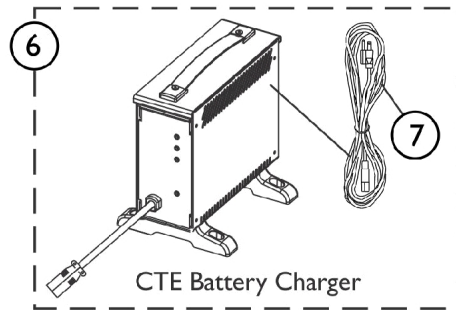


# Battery Charger and Battery Harnesses



**GP 24 Battery Harnesses and Hardware**



SHEP\_372A

## Battery Charger and Battery Harnesses

Item Number	Note	Part Number	Description	Quantity Per	
				Package	Assembly
1	A	60127932	Kit, Battery Harnesses w/ Hardware, GP24	1	1
2			Harness, Battery Front	1	1
3			Harness, Battery Rear	1	1
4			Screw, Hex Flange Head Serrated (1/4-20 x 3/4")	1	4
5			Battery Pull Strap Assembly	1	2
			Sheet, Insert Parts Service	1	1
6	B	60102598	Kit, Charger, Battery, 8 Amp. 115vac (Off Board) Single Mode Round Plug w/ AC Power Line Cord	1	1
7		60102582	Kit, Cord, AC Power, 115VAC, 3 Prong On-Board (6' 6-1/2" L)	1	1

NOTE: A - Includes items 2-5.  
B - CTE charger is standard on-chair. Used on Gel Cell or AGM (Absorbed Glass Mat) batteries.