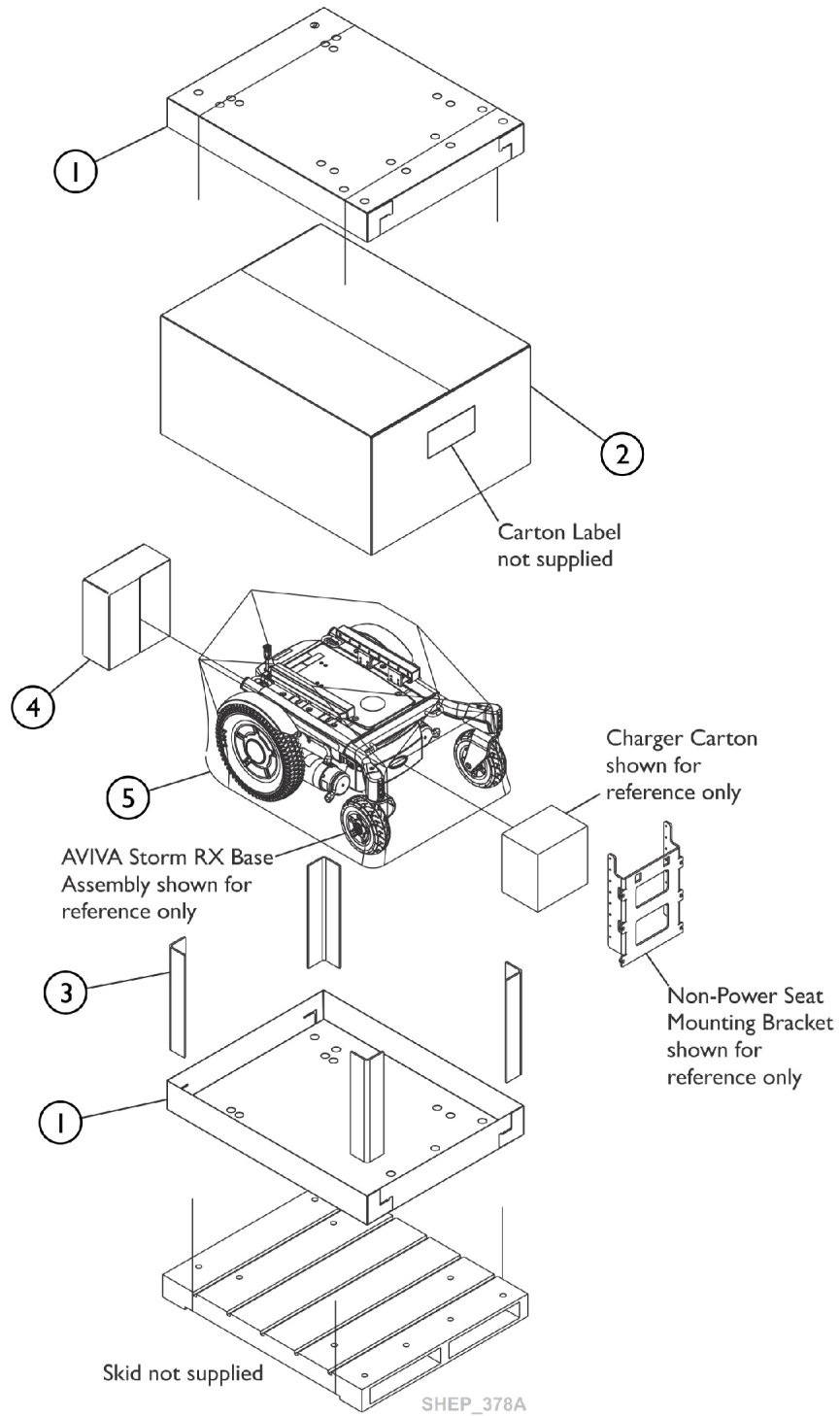


Packaging - Literature



Packaging - Literature

Item Number	Note	Part Number	Description	Quantity Per	
				Package	Assembly
1		1030362	Carton, Tray	1	2
2		1030365	Carton, Cover	1	1
3		1158069	Carton, Corner Reinforcement	1	4
4		40131X148-NLA	NLA - Carton, Hardware	1	1
5		1015592	Bag, Poly (72" L x 35" W x 19" D)	1	1

When adjusting or replacing parts, please refer to your Owner's Manual for assistance. The following Owner's Manuals can be found at www.invacare.com/homecare under Literature Search for the following: 60127229 "AVIVA RX Base - US", 60127242 "AVIVA RX Base - FC", 60126082 "LiNX Control System REM500 Remote", 60126081 "LiNX Control System REM400 Touch Screen Remote", 60126083 "LiNX Control System Non-Expandable/Expandable Remotes". Service Manuals are: 60127241 "AVIVA RX Base - US", 60127243 "AVIVA RX Base - FC"