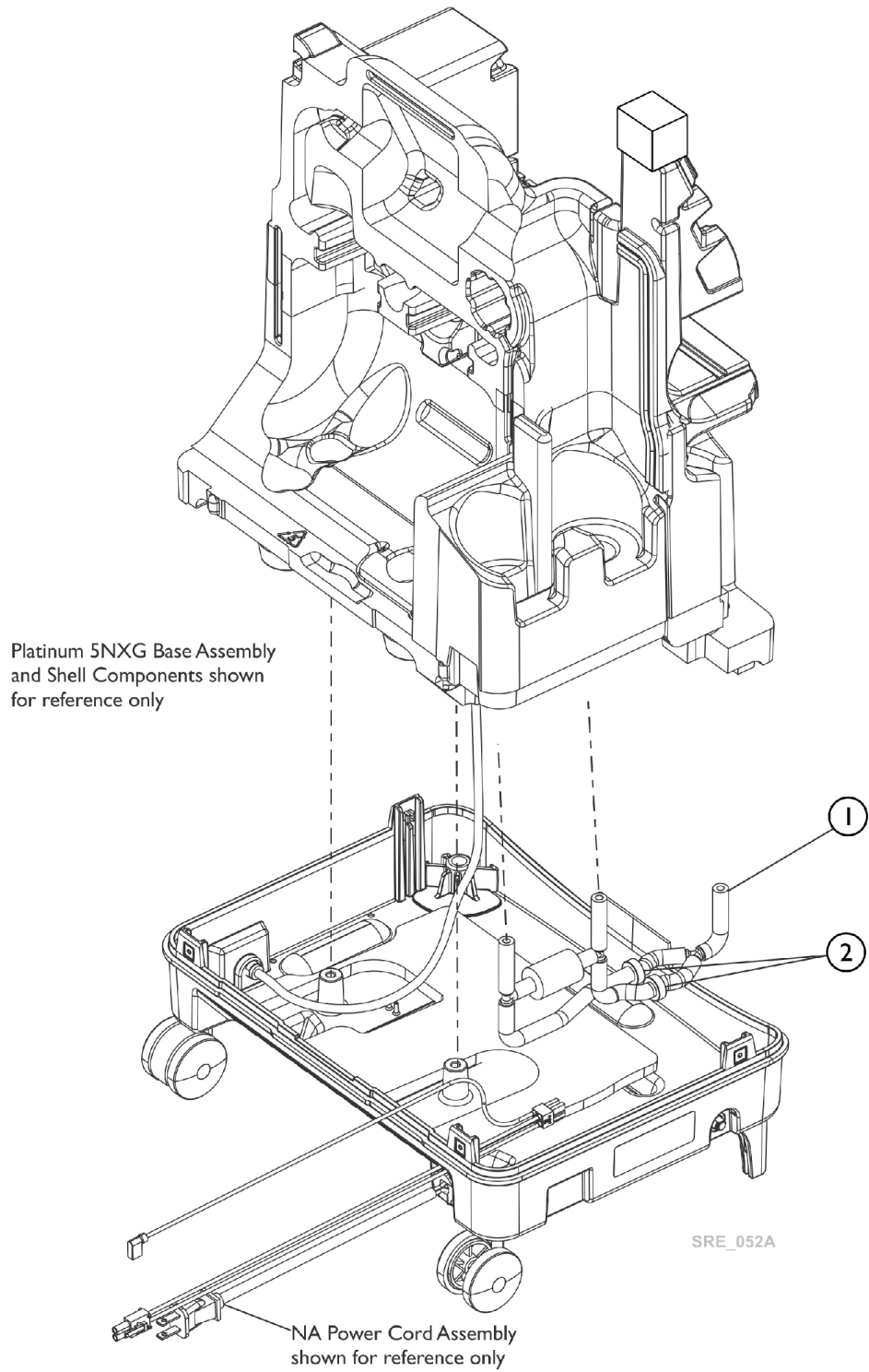


Internal Assembly

Bleed Tubing, Sieve Beds to Product Tank



Internal Assembly

Bleed Tubing, Sieve Beds to Product Tank

Item Number	Note	Part Number	Description	Quantity Per	
				Package	Assembly
1	A	60127138	Kit, Bleed Tubing, Sieve Beds to Product Tank	1	1
			Bleed Tubing, Sieve Beds to Product Tank	1	1
			Sheet, Insert Parts Service	1	1
2		2000436	Check Valve, Barb (5/16")	1	2

NOTE: A - Item #2 is included with kit 60127138. All other individual components are non-saleable.