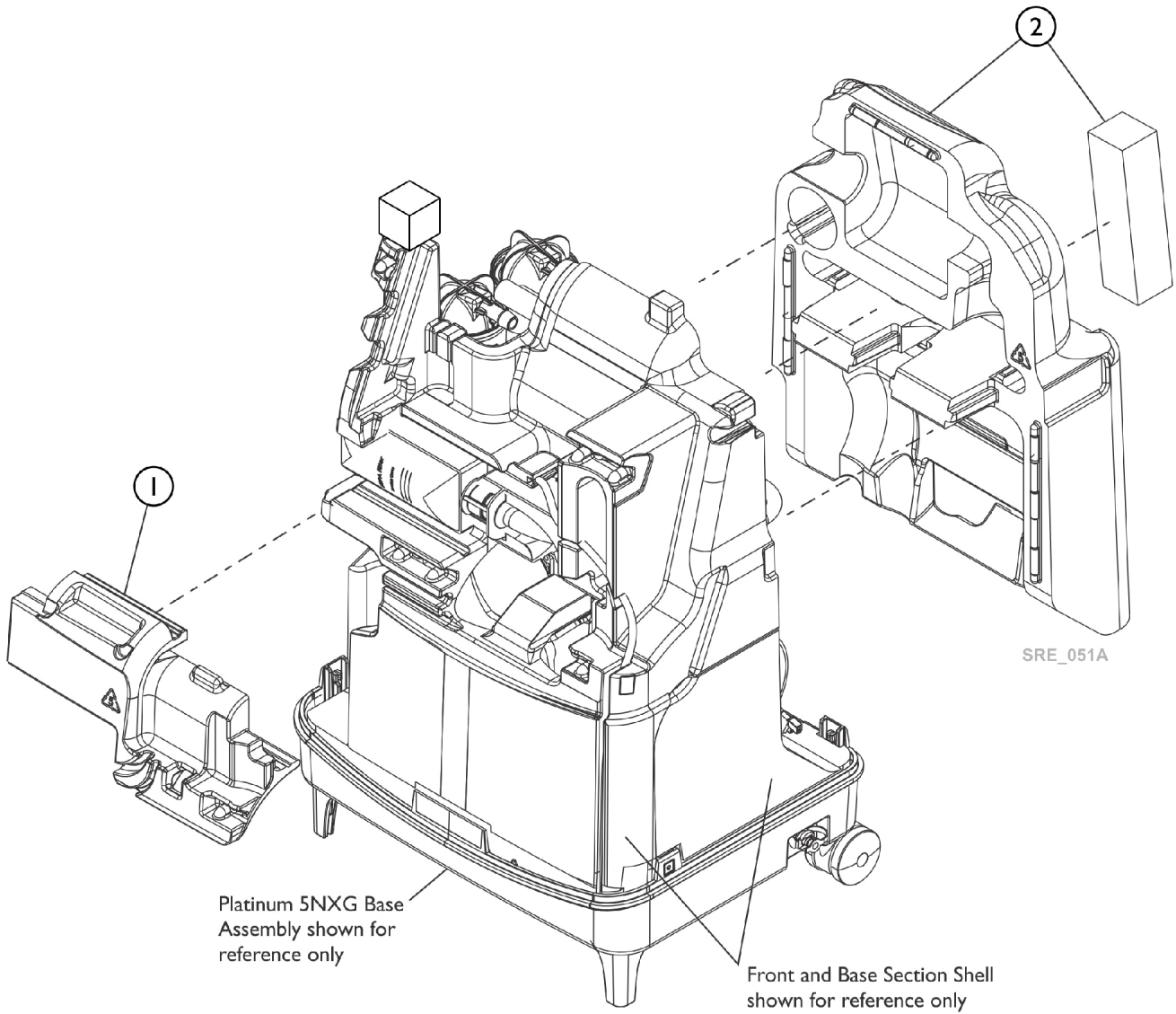


Shells, Inner Component (continued)

Inlet Filter and Access Door Section



Platinum 5NXG Base
Assembly shown for
reference only

Front and Base Section Shell
shown for reference only

Shells, Inner Component (continued)

Inlet Filter and Access Door Section

Item Number	Note	Part Number	Description	Quantity Per	
				Package	Assembly
1		60127175	Kit, Inlet Filter Shell Cover	1	1
			Cover, Inlet Filter Shell	1	1
			Sheet, Insert Parts Service	1	1
2		60127173	Kit, Service Access Door Shell Assembly	1	1
			Shell, Service Access Door	1	1
			Foam, Wall, Self-Adhesive, P5NXG (6 x 1-1/2 x 1-1/2")	1	1
			Sheet, Insert Parts Service	1	1