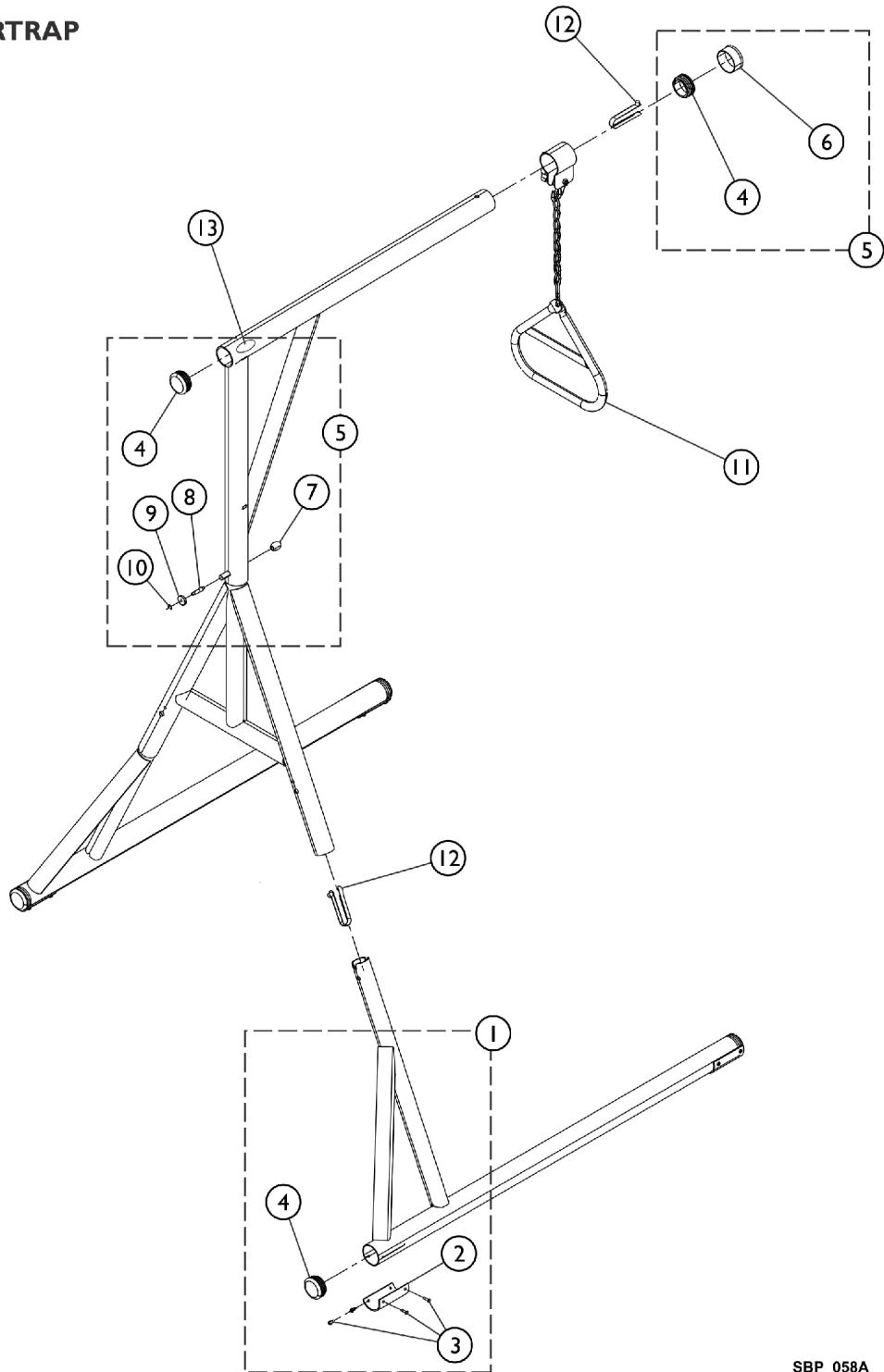


# Bariatric Trapeze

BARTRAP



SBP\_058A

## Bariatric Trapeze

Item Number	Note	Part Number	Description	Quantity Per	
				Package	Assembly
1	A	1165087	Kit, Hardware, Bariatric Trapeze - Boom	1	1
2			NLA - Pad, Foot Trapeze	1	4
3			NLA - Screw, Phillips Pan Head (#10-16 x 5/8")	1	16
4			NLA - Plug Button, Black (2-1/4")	1	4
5	B	1165088	Kit, Hardware, Bariatric Trapeze - Mast	1	1
4			NLA - Plug Button, Black (2-1/4")	1	2
6			NLA - Cap, End, External, Black	1	1
7			Pin, Plunger	1	1
8			Spring, Plunger (23/64 x 5/8")	1	1
9			NLA - Knob, Plunger	1	1
10			NLA - Ring, Retaining	1	1
11		1108681	Grab Bar with Chain and Clamp, Grey	1	1
12		1109145-NLA	NLA - Button, Snap	1	3
13		1095498-NLA	NLA - Decal, Invacare Logo (3.1)	2	1
	C	1075222-NLA	NLA - Paint, Touch-Up, Reliant, Isolet Gray	1	1
	C	1165089	Kit, A - Frame w/ Hardware	1	1
			Tube Assembly, Mast and Boom	1	1
			Cap, External	3	1

NOTE: A - Kit includes items 2 - 4.  
 B - Kit includes items 4 and 6 - 10.  
 C - Not Shown in illustration.