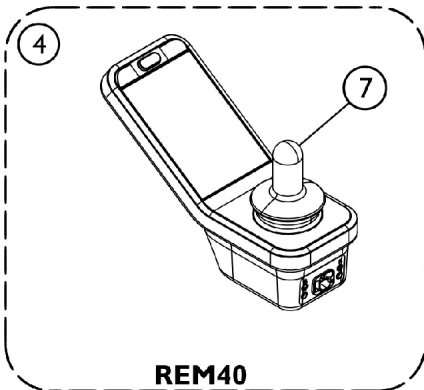
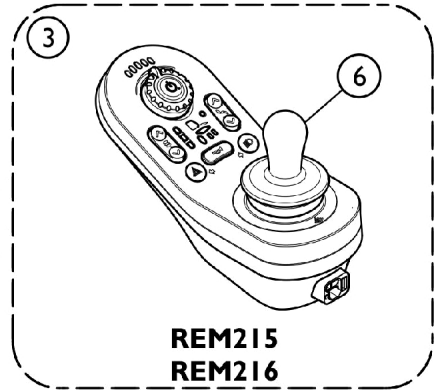
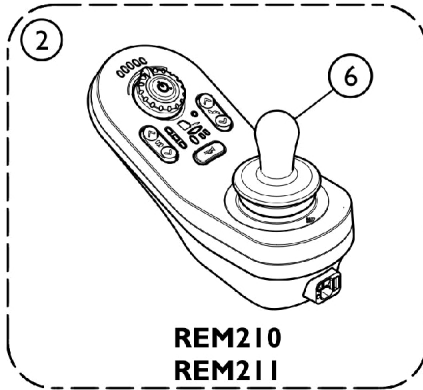
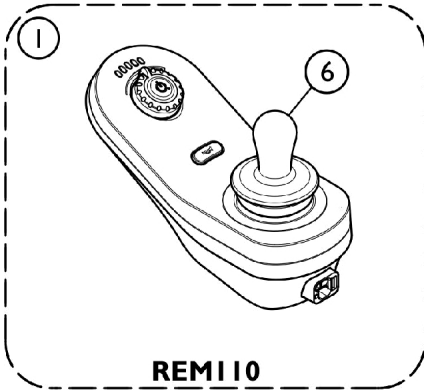
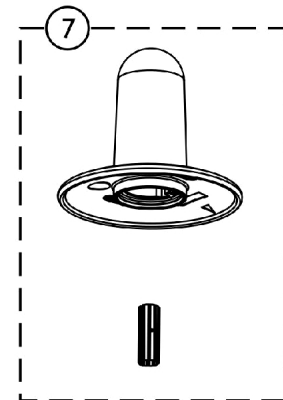
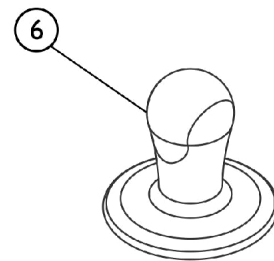
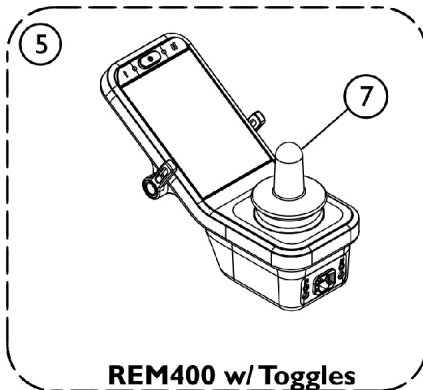


Remotes and Displays



SHEP_349A



Remotes and Displays

Item Number	Note	Part Number	Description	Quantity Per	
				Package	Assembly
1	A	60102503	Kit, LiNX Remote DLX-REM110	1	1
2	B	60102501	Kit, LiNX Remote DLX-REM210	1	1
2	C	60102502	Kit, LiNX Remote DLX-REM211	1	1
3	D	60124979	Kit, LiNX Remote DLX-REM215	1	1
3	E	60102504	Kit, LiNX Remote DLX-REM216	1	1
4	E	60102505	Kit, LiNX Remote DLX-REM400 Touch Screen	1	1
5	E	60108460	Kit, LiNX Remote DLX-REM400 Touch Screen w/ Toggles	1	1
6	F	GPL55470	Knob, Joystick (JS4REM050)	1	1
7		GPA55475	Knob, Joystick (DLX-REM400-A)	1	1

NOTE: A - Drive Only.
 B - Drive and Actuators 1 or 2.
 C - Drive, Actuators 2 or more
 D - Drive, 1 or 2 Actuators, Lights
 E - Drive, Actuators 2 or more, Lights
 F - Used for all Remotes except DLX-REM400