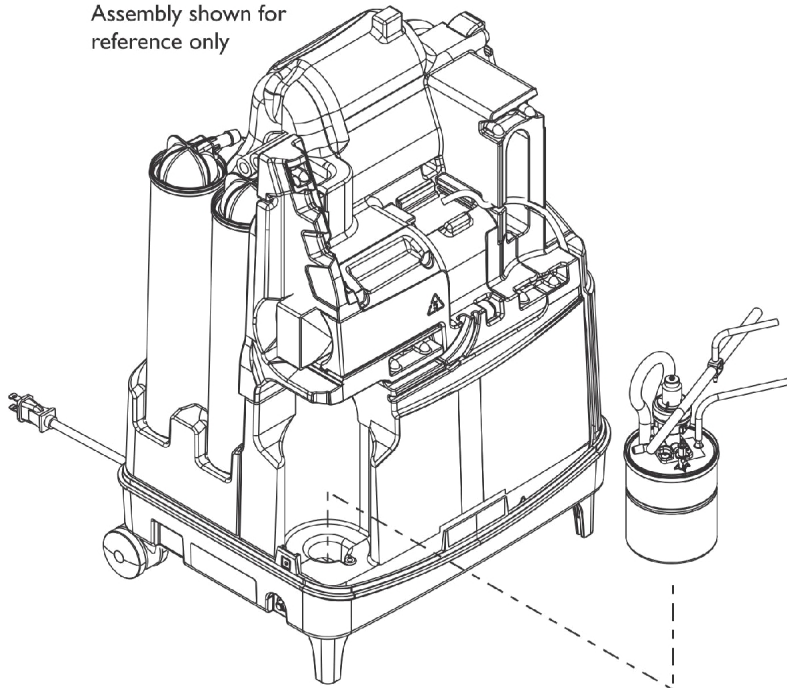
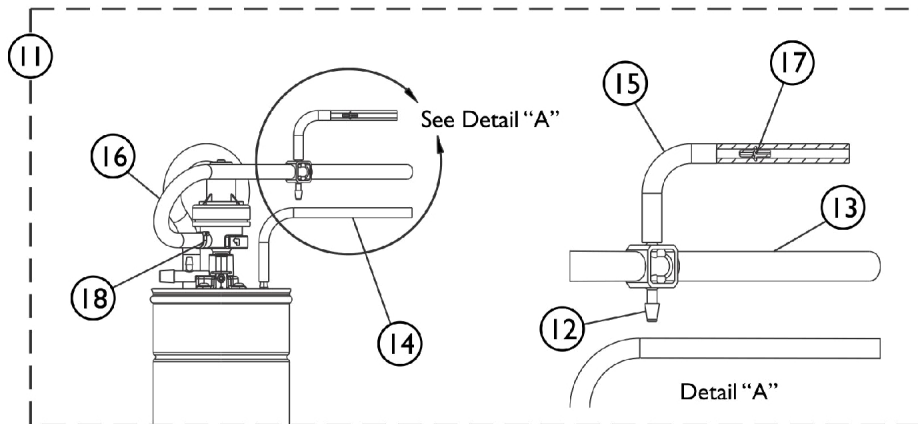
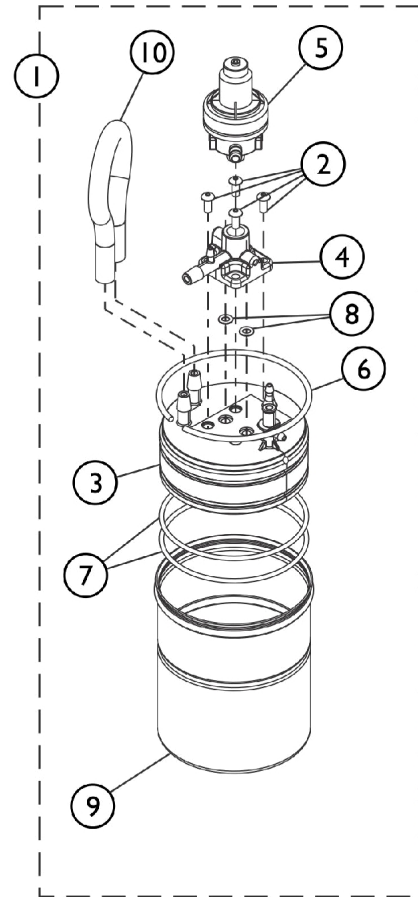


Product Tank Assembly

Platinum 5NXG Internal Assembly shown for reference only



Product Tank Assembly Location shown for reference only



Product Tank Assembly

Product Tank Tubing Components

SRE_043A

Product Tank Assembly

Item Number	Note	Part Number	Description	Quantity Per	
				Package	Assembly
1	A	60127134	Kit, Product Tank Assembly	1	1
2			Screw, Socket Button Head Cap, Regulator (8-32 x 3/8")	1	4
3			Cap, Product Tank w/ Aux. (1/8" Outlet)	1	1
4			Adaptor, Regulator	1	1
5			Regulator (5L)	1	1
6			Ring, Snap (1/8" Dia.)	1	1
7			O-Ring	1	2
8			NLA - O-Ring (11/64" I.D.)	1	2
9			Can, Product Tank	1	1
10			Tube, Silicone (Cut 5-1/2" x 3/16" ID)	1	1
			Sheet, Insert Parts Service	1	1
11	B	60127135	Kit, Product Tank Tubing	1	1
12			Fitting, Cross (1/4 x 1/8 x 1/4 x 1/8")	1	1
13			Tube, Silicone (Cut 3-39/64" x 3/16" ID)	1	1
14			Tube, Silicone (Cut 17" x 1/8" ID)	1	1
15			Tube, Silicone (Cut 7" x 1/8" ID)	1	1
16			Tube, Silicone (Cut 13-1/2" x 3/16" ID)	1	1
17			Restrictor, White (0.005)	1	1
18			Tie Wrap (3-29/32" L)	1	1
			Sheet, Insert Parts Service	1	1

NOTE: A - Includes 2-10.
 B - Includes 12-18.