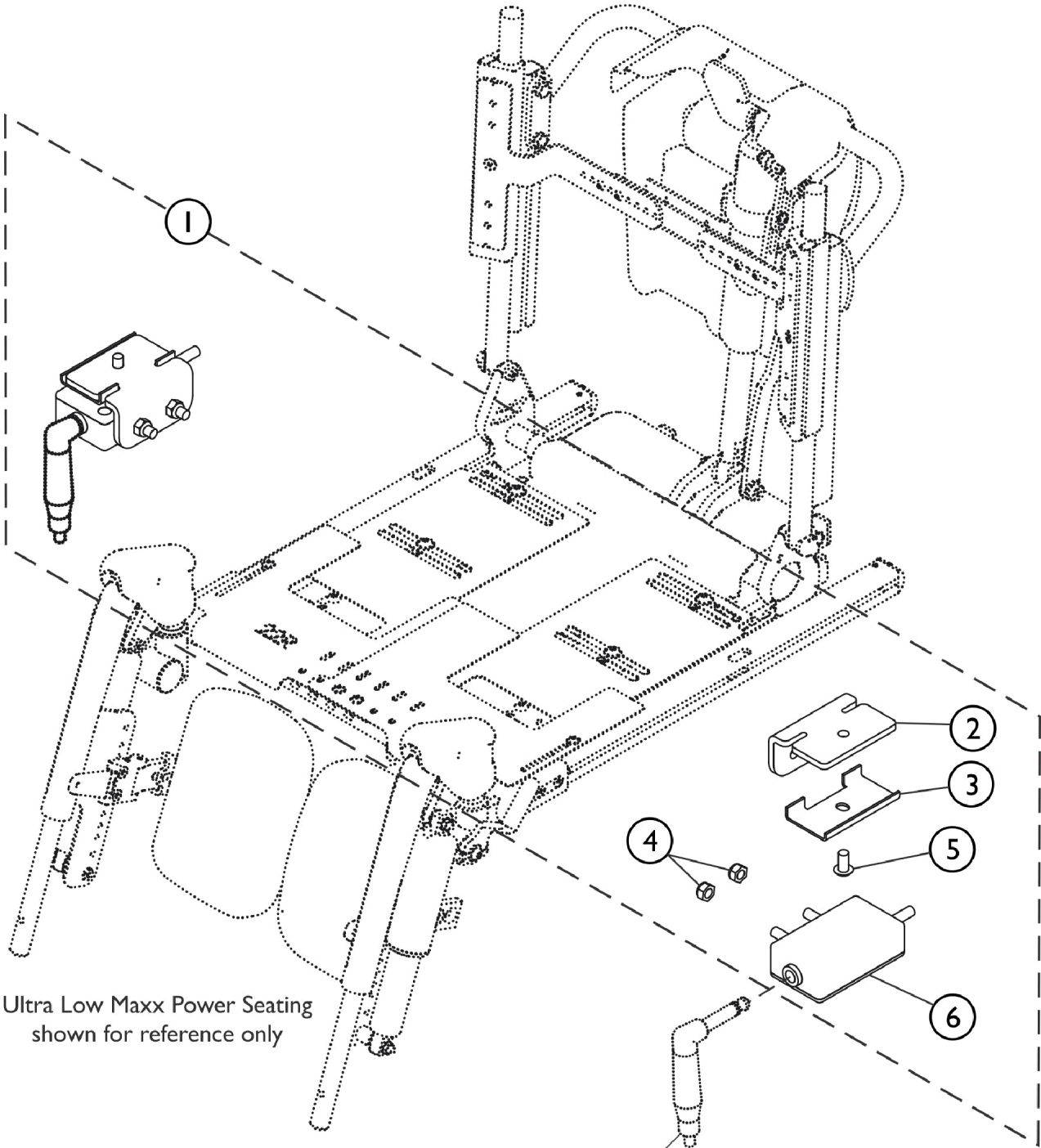


Phono Jack Adapter Box Kit

For (MPELR) Maxx Style Pivot Plus Power Elevating Legrest



Ultra Low Maxx Power Seating
shown for reference only

Phono Jack Cable shown
for reference only

SHEP_362A

Phono Jack Adapter Box Kit

For (MPELR) Maxx Style Pivot Plus Power Elevating Legrest

Item Number	Note	Part Number	Description	Quantity Per	
				Package	Assembly
1	A,B	NPN	Kit, Phono Jack Adapter Box, MPELR	1	1
NOTE: A - Includes items 2-6 and accommodates both the right and left side of the Power Seating system. B - NOTE: "NPN" denotes that Phono Jack Adapter Box Kit is currently unavailable. For first time installation the wheelchair must be returned to Invacare to be installed.					