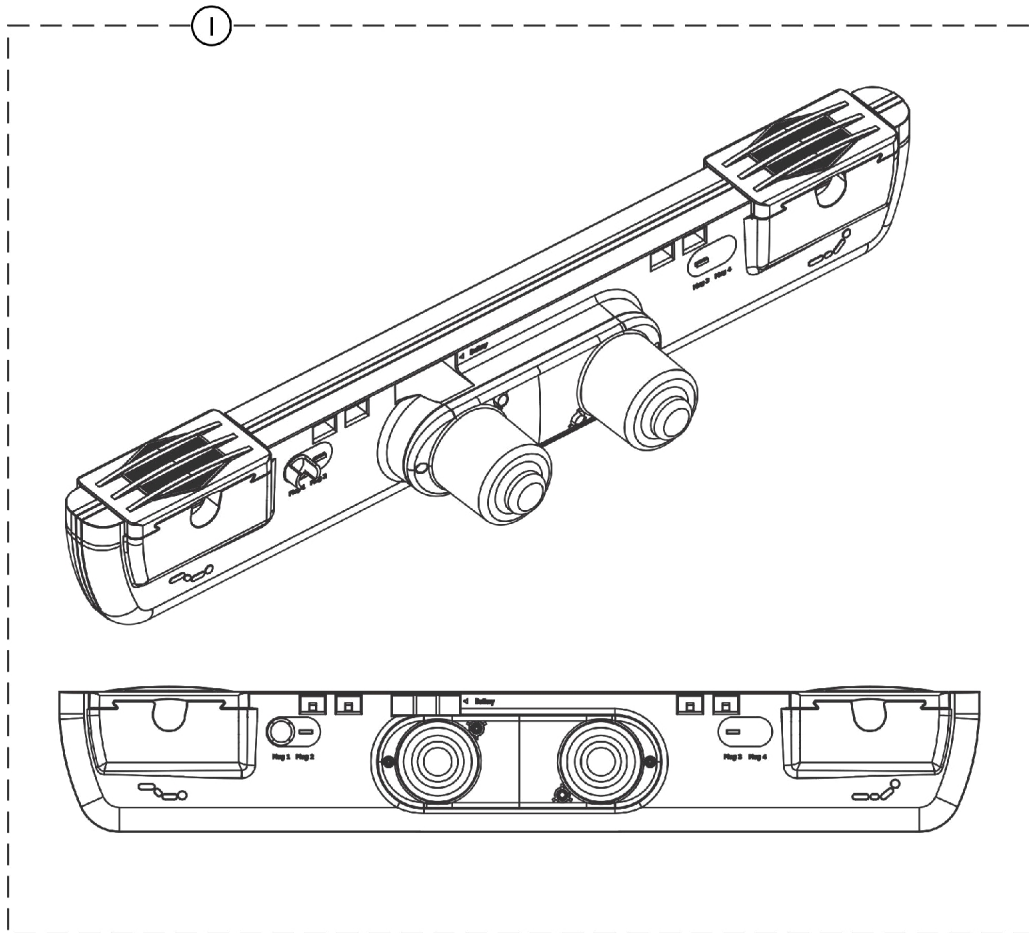
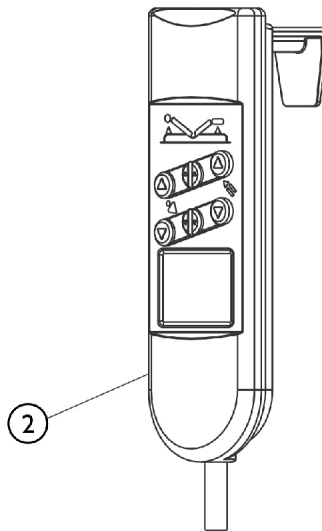


Dual Motor and Hand Pendant 5310VC



SBP_109A



Dual Motor and Hand Pendant 5310VC

Item Number	Note	Part Number	Description	Quantity Per	
				Package	Assembly
1		5310VCDMR	Dual Motor Assembly, 5310VC	1	1
2		5310VCHPT	Hand Pendant, 5310VC	1	1