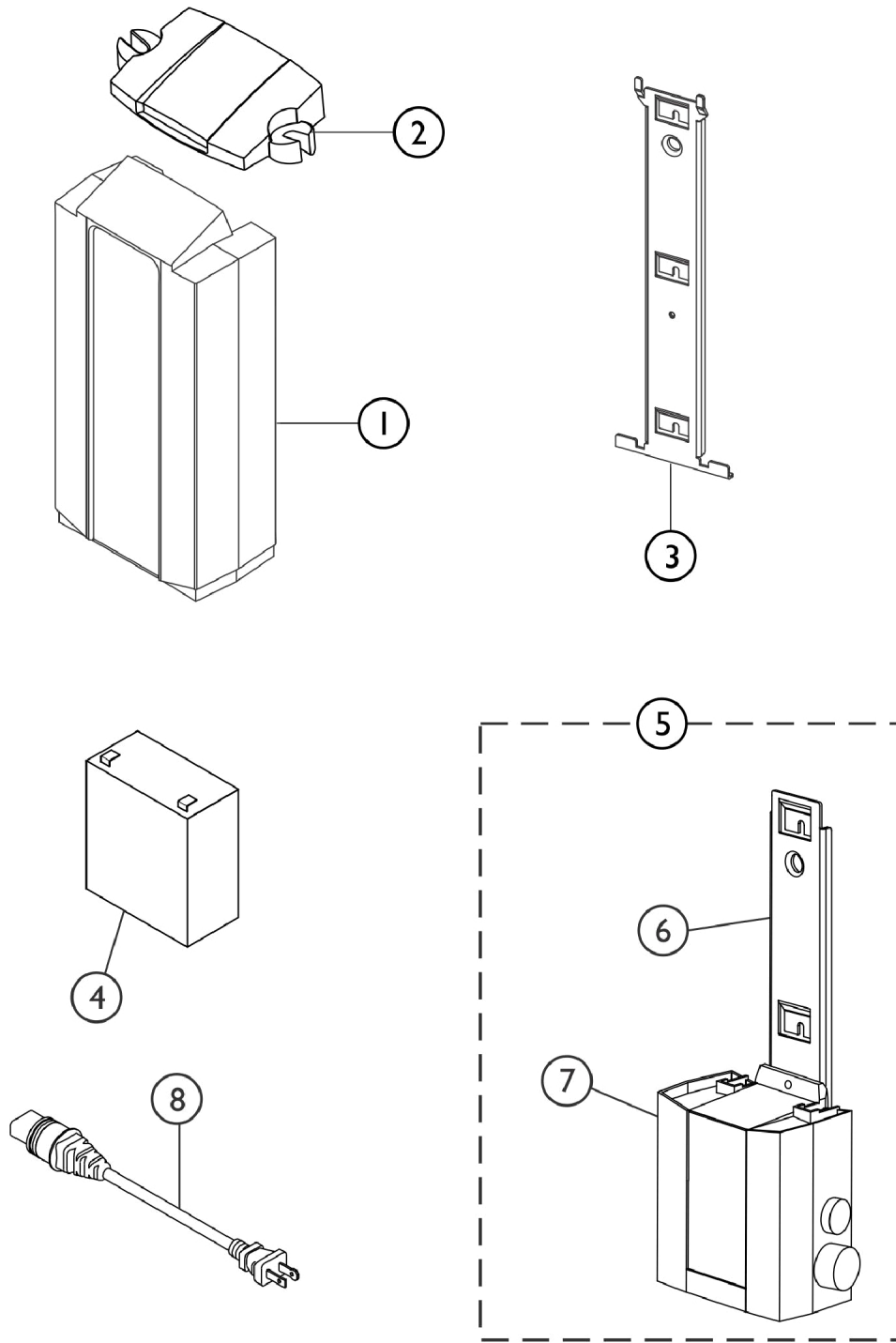


Electrical Accessories and Hardware



ISPS1650832
SPT_064A

Electrical Accessories and Hardware

Item Number	Note	Part Number	Description	Quantity Per	
				Package	Assembly
1		SP1514573-703 5	Battery, CBJ Control Units (24VDC/2.9Ah)	1	1
2		SP1523789-703 5	Cover, Battery	1	1
4		SP1420622	Battery 24VDC/2,9Ah (1 piece)	1	1
5	A	SP1651491	Kit, Wall Charger for Detachable Battery	1	1
6		1078306	Bracket, Wall Mount Charger	1	1
7		1152391	Charger, Wall	1	1
8		1079133	Cord, Power, USA	1	1

NOTE: A - Kit includes items 6 and 7.

Item #1 Lithium Battery currently not available. Item #3 Control Unit Bracket for CBJ1/ CBJ2 is currently not available.