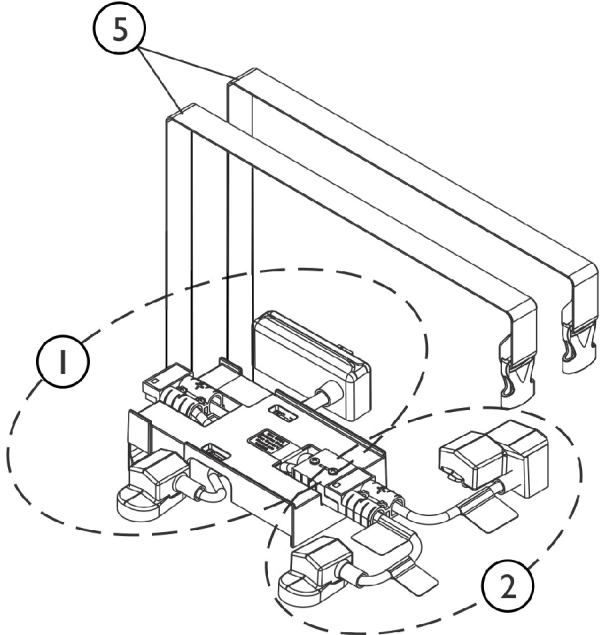
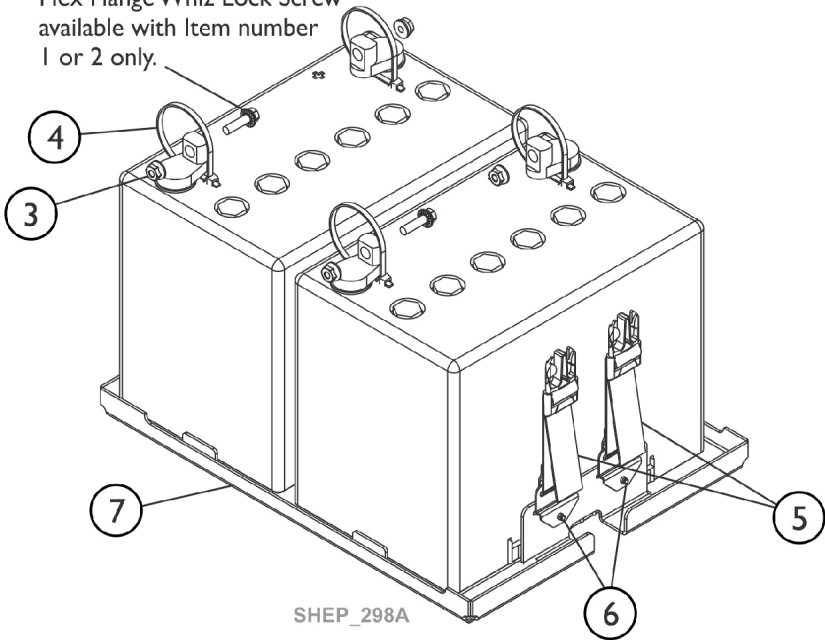


Battery Tray Assembly and Wire Harnesses GP24 Batteries After 03/03/20



Hex Flange Whiz Lock Screw
available with Item number
1 or 2 only.



SHEP_298A

Battery Tray Assembly and Wire Harnesses GP24 Batteries After 03/03/20

Item Number	Note	Part Number	Description	Quantity Per	
				Package	Assembly
1	A,B	60102802	Kit, Harness, Battery Wire with Terminal Hardware, GP24, Rear	1	1
2	A,B	60102803	Kit, Harness, Battery Wire with Terminal Hardware, GP24, Front	1	1
3		16721X000	Locknut (1/4-20)	1	4
4		98007X005	Tie Wrap (11-1/2" L)	1	4
5		1147126	Battery Strap Assembly, GP24/3-22NF	1	2
6		16348X000-NLA	NLA - Rivet (3/16 x 7/16")	1	4
7	C	1157802	Kit, Battery Tray Assembly, GP24	1	1
	D	1144611	Strip, Self Adhesive Wear (2-1/2' L x 1/2" W)	1	1

NOTE: A - Individual components are not available for the battery wire harnesses
 B - Includes items 3,4 and 2 ea. Screw, Hex Flange Whiz Lock (1/4-20 x 7/8")
 C - Includes the Battery Tray and items 5 and 6
 D - Not Shown. The Self Adhesive Wear Strip is attached to the bottom side of the Battery Tray on both sides to allow removal from the Battery Box easier. One strip will accommodate both sides. Cut strip to desired length.