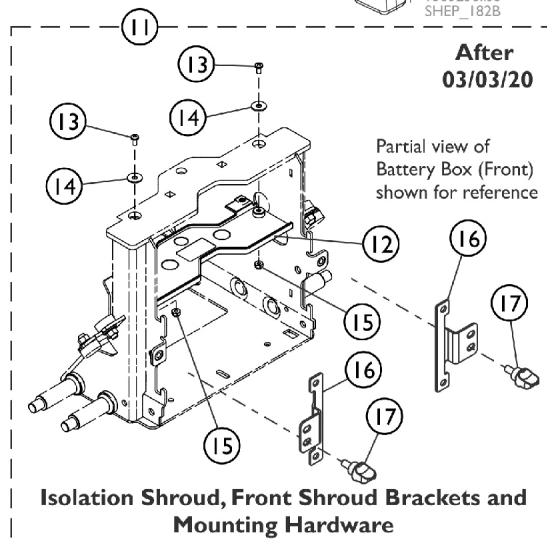
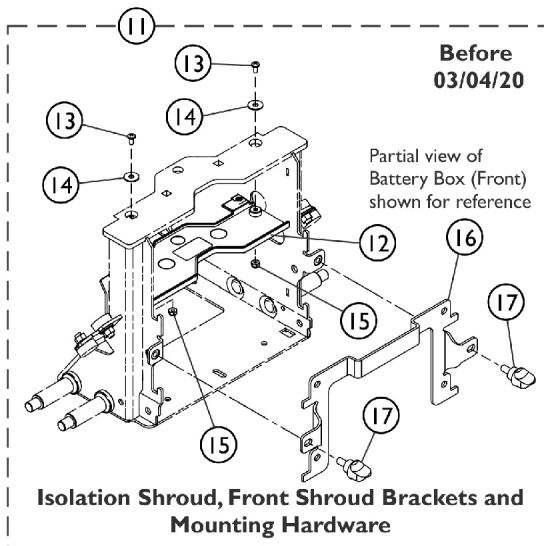
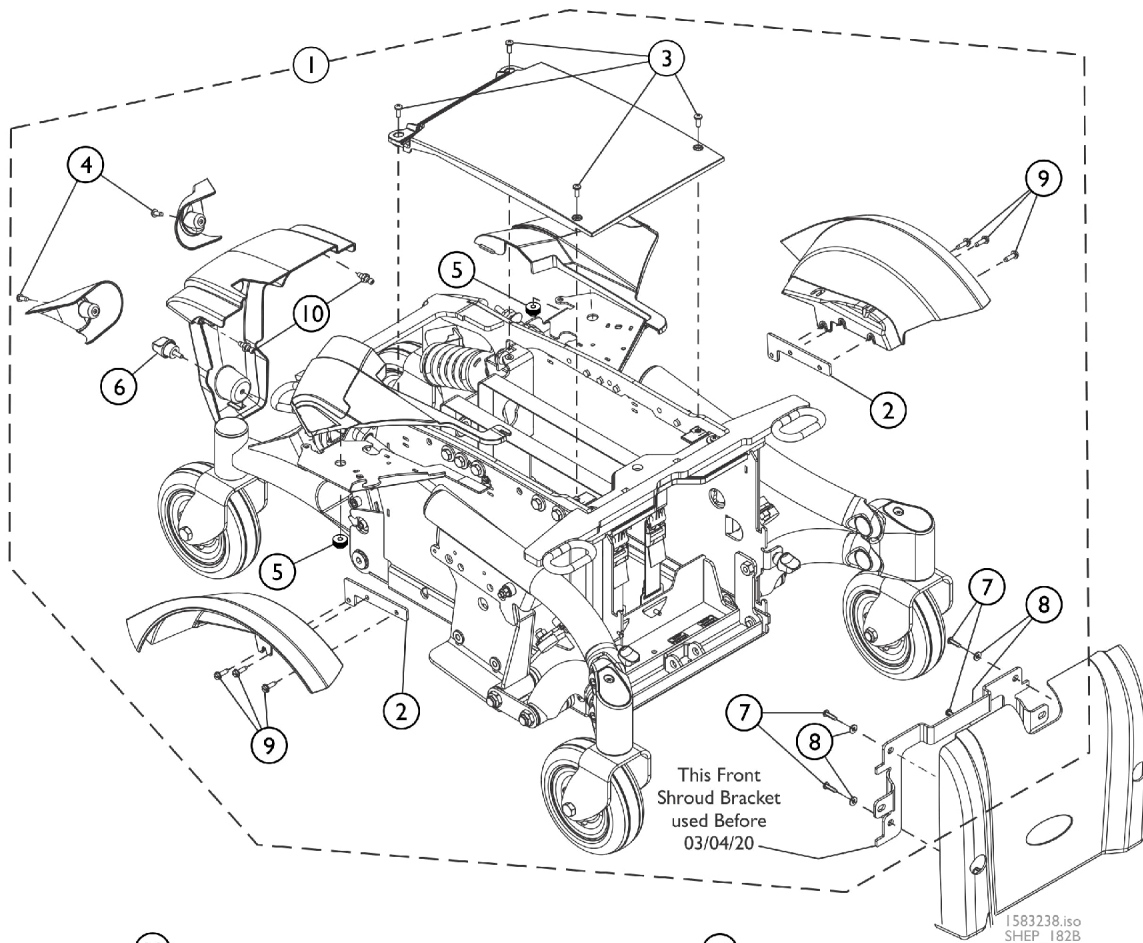


Shrouds Mounting Hardware



Shrouds Mounting Hardware

Item Number	Note	Part Number	Description	Quantity Per	
				Package	Assembly
1	A	60103272	Kit, Shroud Hardware	1	1
2			Spacer, Shroud, Black	1	2
3			Screw, Phillips Pan Head (#10-32 x 1/2")	1	4
4			Screw, Phillips Pan Head Tap (#10-32 x 1/2")	1	2
5			Nut, Knurled, Plastic (M5)	1	2
6			Screw, Knob (10-32 x 1/2")	1	1
7			Screw, Phillips Pan Head (#8-16 x 5/8")	1	4
8			Washer, Steel (3/16 x 7/16 x 1/16")	1	4
9			Screw, Slotted Hex Washer Head (#10-32 x 5/8")	1	6
10			Stud, Snaploc Plastic	1	2
11	B	60102806	Kit, Isolation Shroud and Front Shroud Bracket w/ Mounting Hardware, 22NF Narrow Battery Box	1	1
12			Shroud, Isolation, 22NF Narrow Battery Box	1	1
13			Screw, Phillips Pan Head (#10-32 x 3/8")	1	2
14			Washer (1/4 x 23/32 x 1/16")	1	2
15			Locknut (#10-32)	1	2
16			Bracket, Shroud, Black, 22NF Narrow Battery Box	1	1
17			Knob, Screw (5/16-18 x 5/8")	1	2
11	B	60102807	Kit, Isolation Shroud and Front Shroud Bracket w/ Mounting Hardware, GP24 Wide Battery Box	1	1
12			Shroud, Isolation, GP24/3-22NF Batteries	1	1
13			Screw, Phillips Pan Head (#10-32 x 3/8")	1	2
14			Washer (1/4 x 23/32 x 1/16")	1	2
15			Locknut (#10-32)	1	2
16			Bracket, Shroud, Black, GP24 Wide Battery Box	1	1
17			Knob, Screw (5/16-18 x 5/8")	1	2

NOTE: A - Includes items 2-10.

B - Used Before 03/04/20. Includes items 12-17. NOTE: Item #11 dated After 03/03/20 is Non-Serviceable in the Field.