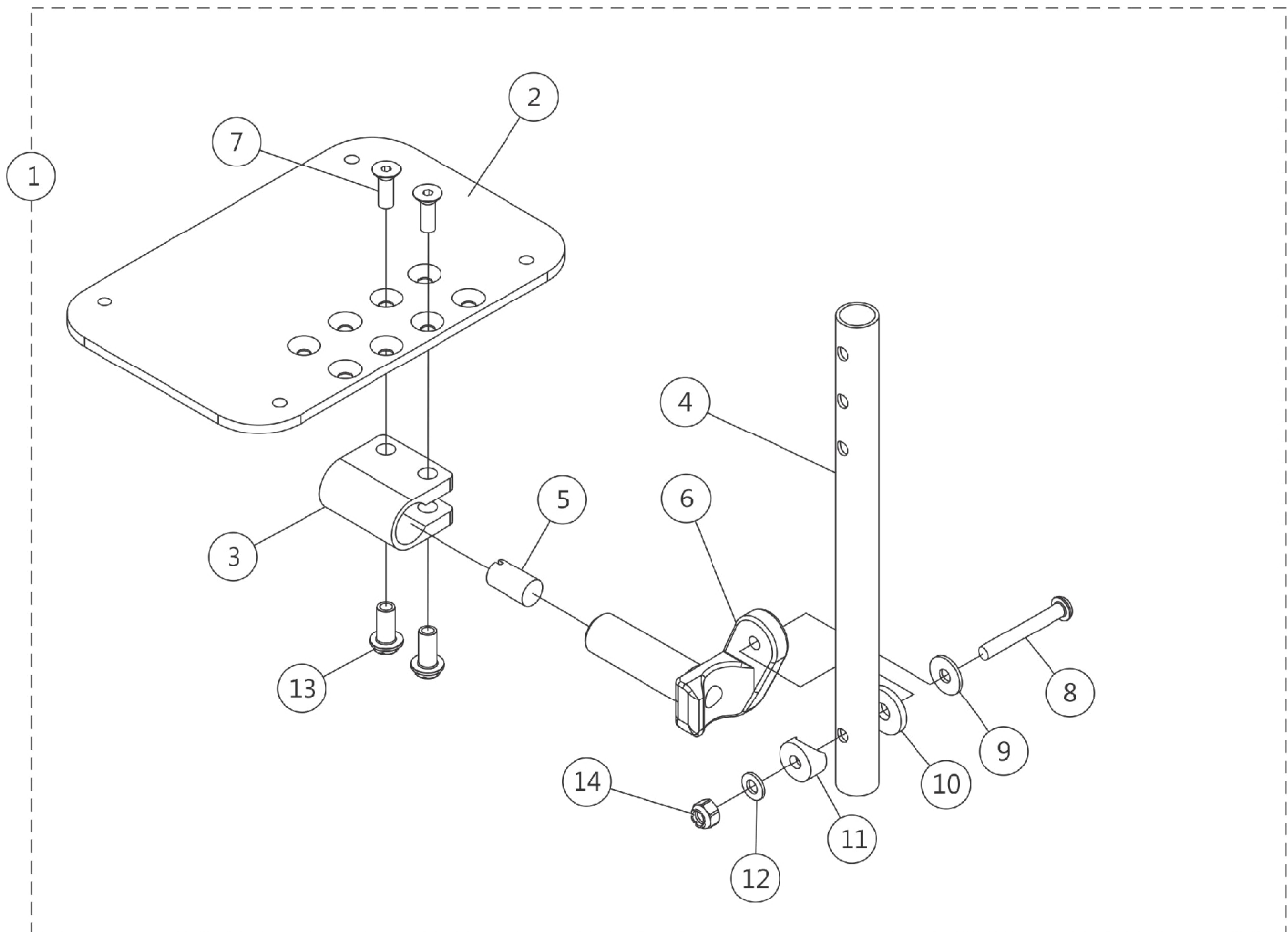


# Adjustable Angle Footplate Assemblies - AT5543

## 70 Degree Swingaway Supports

NOTE: Heel loops are not included. See Front Riggings - Adjustable Heel Loops.

NOTE: For complete pivot/slide tube and footplate assemblies, see Front Riggings Reference Charts



SHEP\_277A

# Adjustable Angle Footplate Assemblies - AT5543

## 70 Degree Swingaway Supports

NOTE: Heel loops are not included. See Front Riggings - Adjustable Heel Loops.

NOTE: For complete pivot/slide tube and footplate assemblies, see Front Riggings Reference Charts

Item Number	Note	Part Number	Description	Quantity Per	
				Package	Assembly
1	A	See Chart	Pivot/Slide Tubes w/ Footplate Assemblies	1	1
2		1113574	Footplate, Adjustable Angle, Extra Large, Black (6-1/4" W x 8" L)	1	1
3		1058517	Clamp, Footplate	1	1
4		1057855	Tube, Pivot and Slide, Straight, Steel, Black (9-7/8" L)	1	1
4		1057856	Tube, Pivot/Slide, Straight, Steel, Black (11-7/8" L)	1	1
4		1121135	Tube, Pivot/Slide, Straight, Steel, Black (13-7/8" L)	1	1
4		1091745-NLA	NLA - Tube, Pivot/Slide, Straight, Steel, Chrome (13-7/8" L)	1	1
5		1048816	Screw, Nylon Adjustment (1/2-13 x 7/8")	1	1
6		1052102	Hinge, Footplate - Right	1	1
6		1052103	Hinge, Footplate - Left	1	1
7		1029545	Screw, Socket Flat Head (1/4-20 x 3/4")	1	2
8		1022831	Screw, Socket Button Head (1/4-20 x 1-7/8")	1	1
9		1026907	Washer (1/4 x 1/2 x 1/16")	1	1
10		1016301	Washer, Nylon (5/16 x 7/8 x 1/8")	1	1
11		1025457	Spacer, Coved (1/4 x 3/4 x 11/32")	1	1
12		1026900	Washer (1/4 x 23/32 x 1/16")	1	1
13		1082686	Nut, Barrel, Hex Head (1/4-20 x 11/16")	1	2
14		1025736	Locknut (1/4-20)	1	1

NOTE: A - Includes Items 2 thru 14.

### #1 Pivot/Slide Tube with Footplate Assemblies

Rigging Type	(9-7/8" Tube)	(11-7/8" Tube) 2" Longer	(13-7/8" Tube) 4" Longer
ALL Widths - Right (6-1/4" Footplate)	1062756	1062760	1121140
ALL Widths - Left (6-1/4" Footplate)	1062757	1062761	1121141