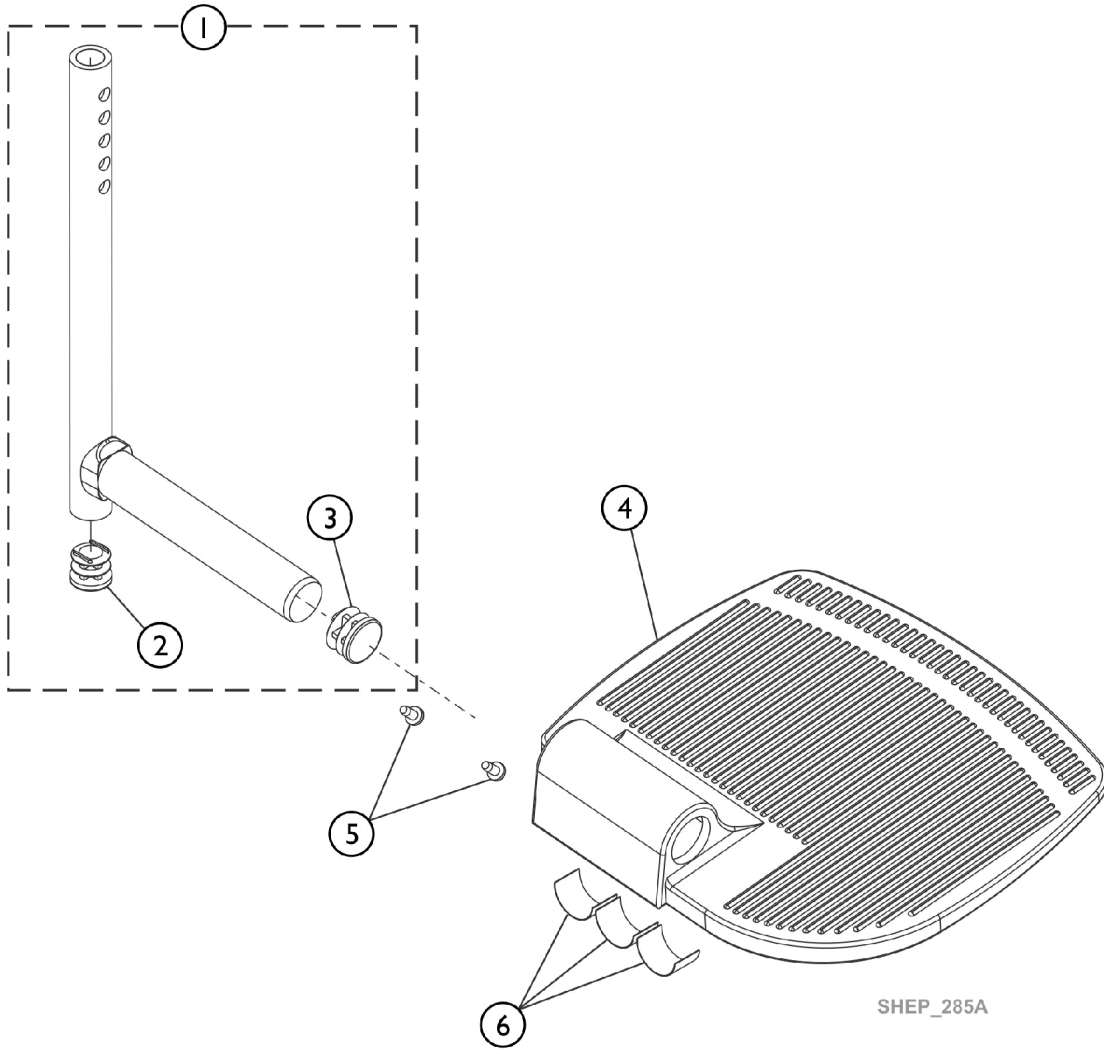


# Pivot/Slide Tube and 1350 Aluminum Footplates

NOTE: Heel Loops are not included. See Front Riggings - Adjustable Heel Loops.

NOTE: For complete pivot/slide tube and footplate assemblies, see Front Riggings Reference Charts



SHEP\_285A

# Pivot/Slide Tube and 1350 Aluminum Footplates

**NOTE:** Heel Loops are not included. See Front Riggings - Adjustable Heel Loops.

**NOTE:** For complete pivot/slide tube and footplate assemblies, see Front Riggings Reference Charts

Item Number	Note	Part Number	Description	Quantity Per	
				Package	Assembly
1	A	60108344	Kit, Pivot/Slide Tube w/ Plug Button, Black	1	1
1	A	60108345	Kit, Pivot/Slide Tube w/ Plug Button, Black (2" Longer)	1	1
1	A	60108346	Kit, Pivot/Slide Tube w/ Plug Button, Black (4" Longer)	1	1
2		1027097	Plug Button, Black (3/4")	1	1
3		1027095	Plug Button, Black (7/8")	1	1
4		44200X025	Footplate, Aluminum, Extra Large, Black - Right (8" W x 8-1/2" L)	1	1
4		44200X026	Footplate, Aluminum, Extra Large, Black - Left (8" W x 8-1/2" L)	1	1
5		1025729	Screw, Phillips Pan Head Tap (#8-32 x 3/8")	1	2
6		1036123	Spring, Leaf	1	3

**NOTE:** A - Includes Pivot/ Slide Tube and items 2 and 3.