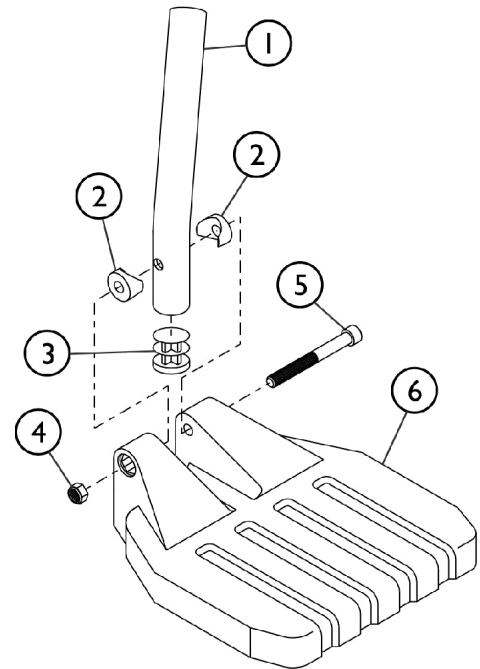
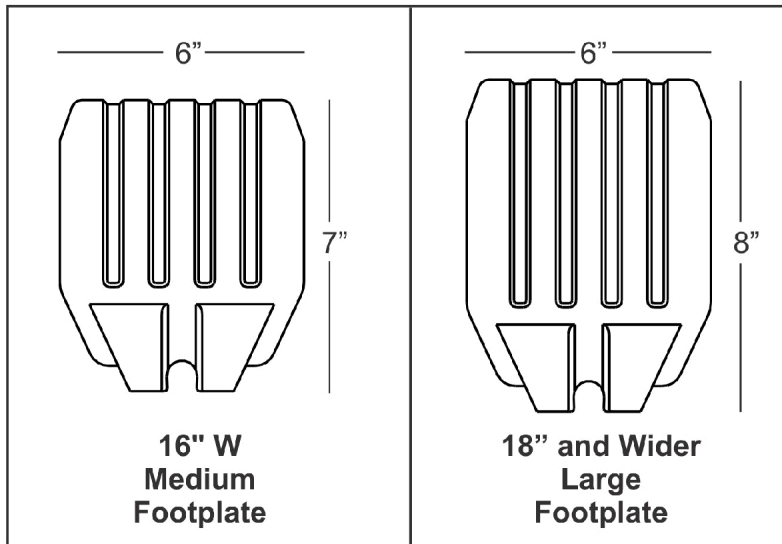


# Pivot/Slide Tube and 1651 Composite Footplates

NOTE: Heel Loops are not included. See Front Riggings - Adjustable Heel Loops.

NOTE: For complete pivot/slide tube and footplate assemblies, see Front Riggings Reference Charts



SHEP\_276A

## Pivot/Slide Tube and 1651 Composite Footplates

NOTE: Heel Loops are not included. See Front Riggings - Adjustable Heel Loops.

NOTE: For complete pivot/slide tube and footplate assemblies, see Front Riggings Reference Charts

Item Number	Note	Part Number	Description	Quantity Per	
				Package	Assembly
1		1057852	Tube, Pivot/Slide, Curved End, Steel, Black (9-7/8")	1	1
1		1057854	Tube, Pivot/Slide, Curved End, 2" Longer, Steel, Black	1	1
1		1058418	Tube, Pivot/Slide, Curved End, 4" Longer, Steel, Black	1	1
2		1025457	Spacer, Coved (1/4 x 3/4 x 11/32")	1	2
3		1027097	Plug Button, Black (3/4")	1	1
4		1025195	NLA - Locknut (1/4-20)	1	1
5		60285X006	Screw, Socket Head (1/4-20 x 2-1/4")	1	1
6	A	1026880	Footplate, Composite, Medium, Black (7" W x 6" L)	1	1
6	B	1026881	Footplate, Composite, Large, Black (8" W x 6" L)	1	1
NOTE: A - 16" Wide B - 18" and Wider					