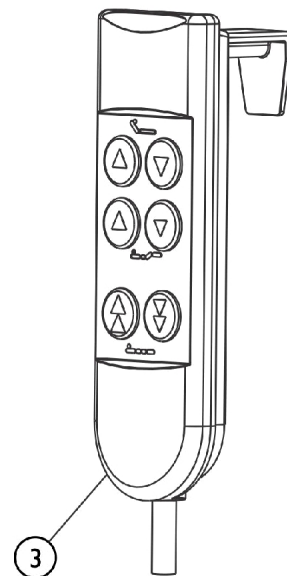
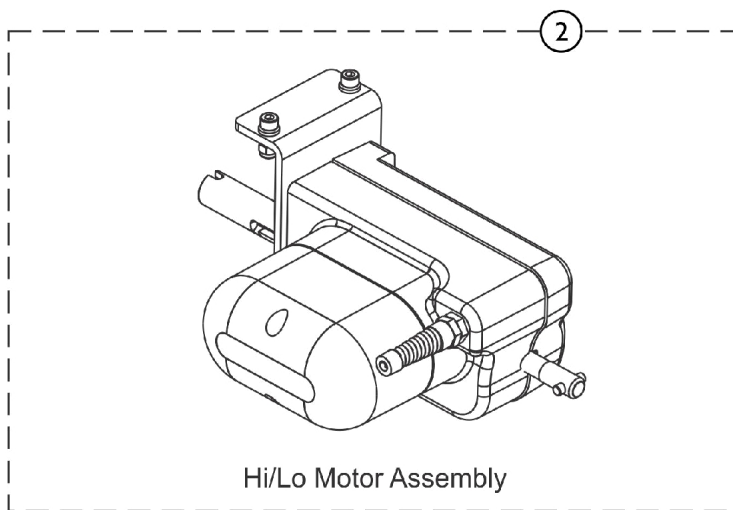
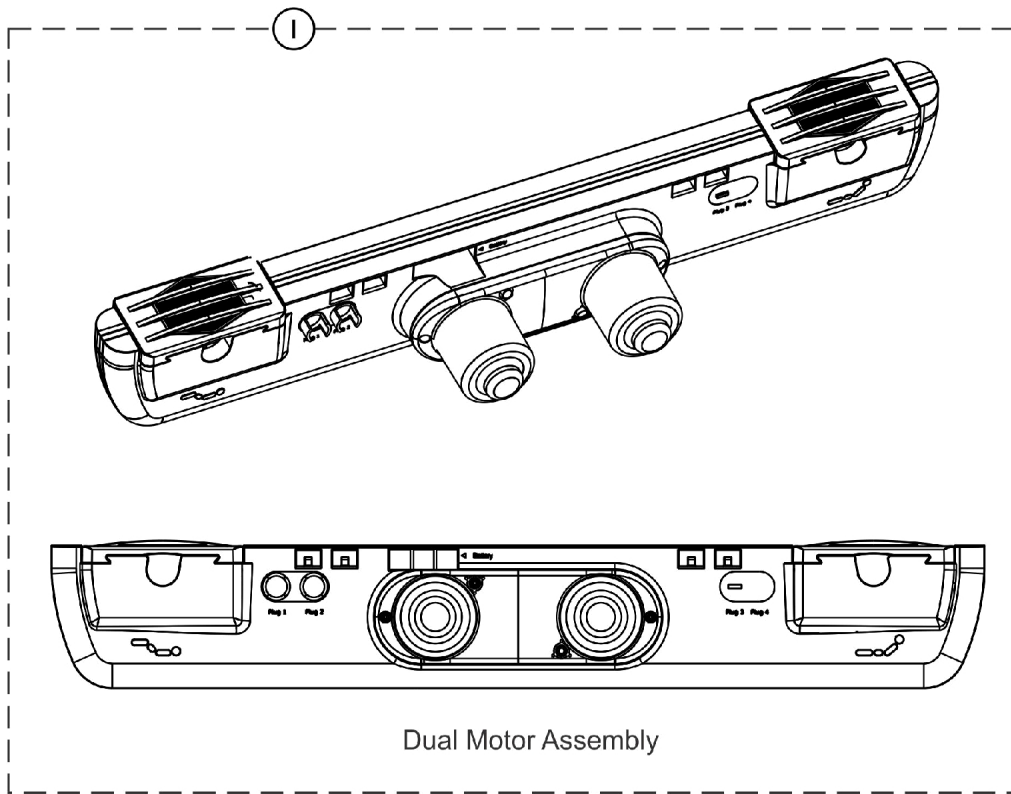


Dual Motor, High/Low Motor and Hand Pendant

5410VC



Dual Motor, High/Low Motor and Hand Pendant 5410VC

Item Number	Note	Part Number	Description	Quantity Per	
				Package	Assembly
1		5410VCDMR	Dual Motor Assembly, 5410VC	1	1
2		5410VCHLM	Hi/Lo Motor Assembly, 5410VC	1	1
3		5410VCHPT	Hand Pendant, 5410VC	1	1