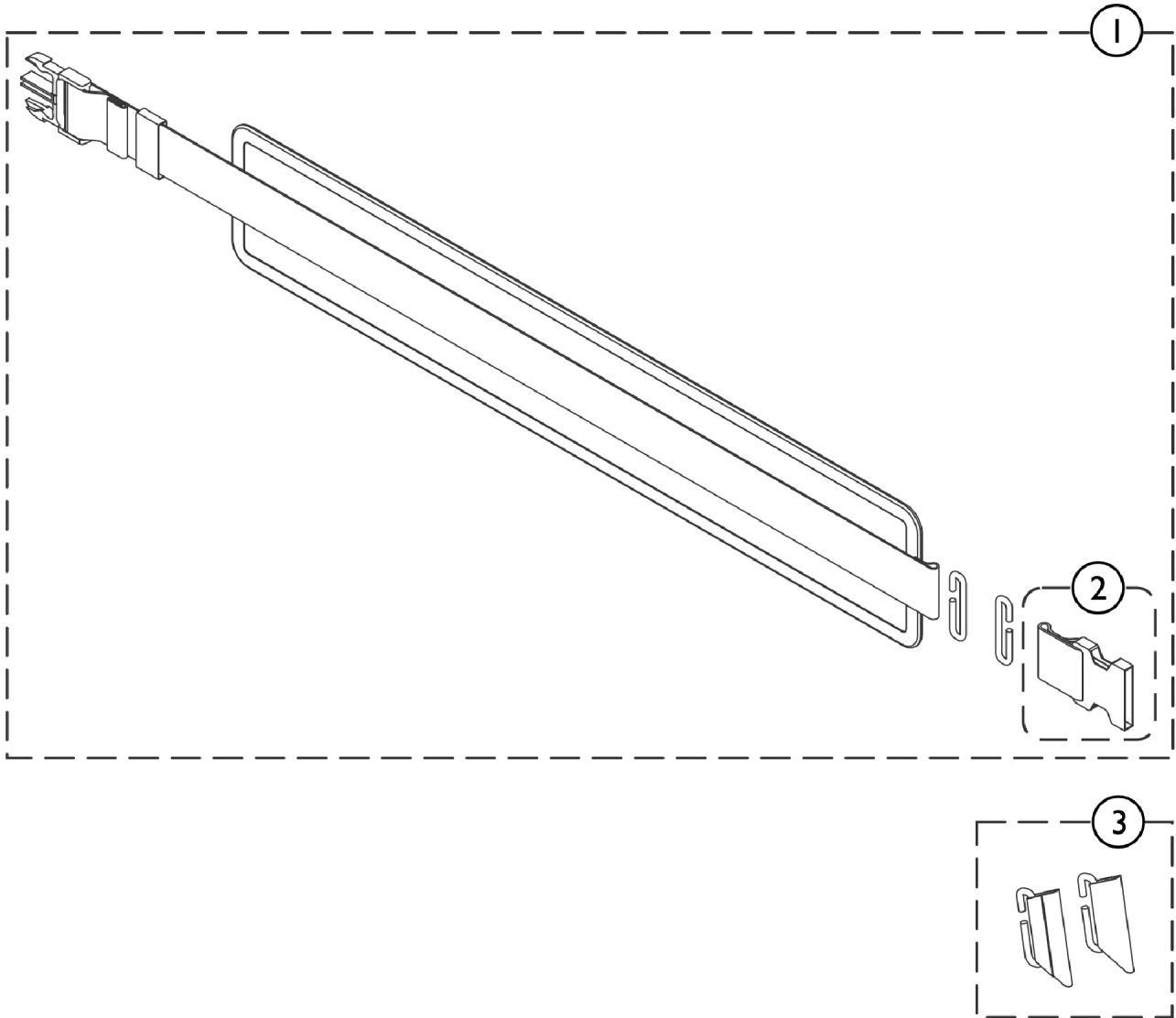


# Leg Band



# Leg Band

Item Number	Note	Part Number	Description	Quantity Per	
				Package	Assembly
1		AP60121194	Leg Band Assembly w/ Clips, Black	1	1
2		SP1654052	Buckle, Leg Band Female	1	1
3		SP1656593	Kit, Leg Band Connector (Pkg. of 2)	2	1