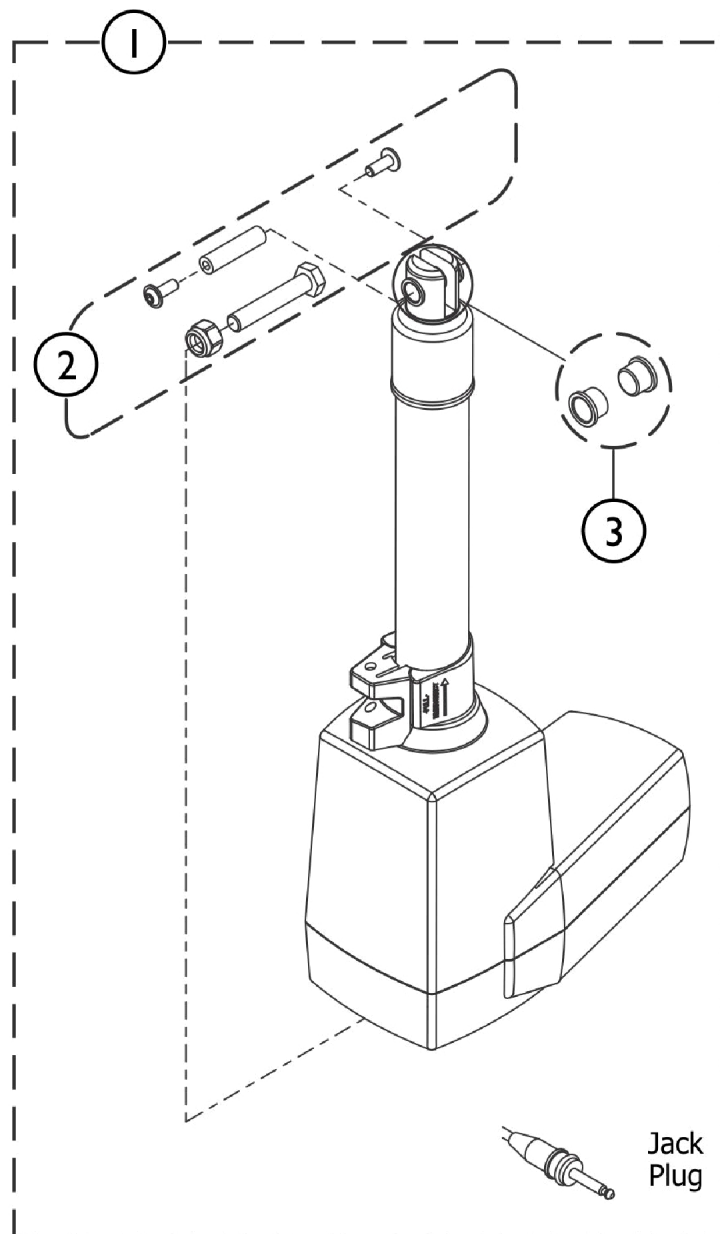


Actuator for Boom



ISPS1655235

SPT_097A

Actuator for Boom

Item Number	Note	Part Number	Description	Quantity Per	
				Package	Assembly
1		SP1655438	Kit, Boom Actuator, LA34 Jack Plug and Hardware (24VDC/10.5A)	1	1
2		SP1655439	Kit, Hardware, Boom Actuator	1	1
3		SP60121882-70 16	Bushing, Plastic, for Linak LA34 Actuator (Pkg. of 2)	2	1