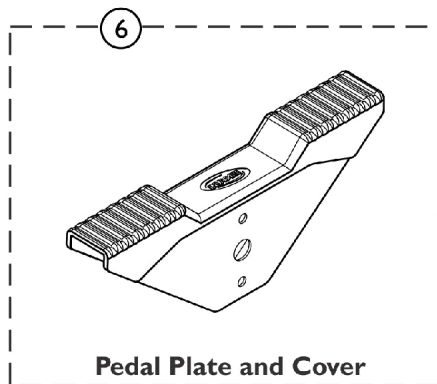
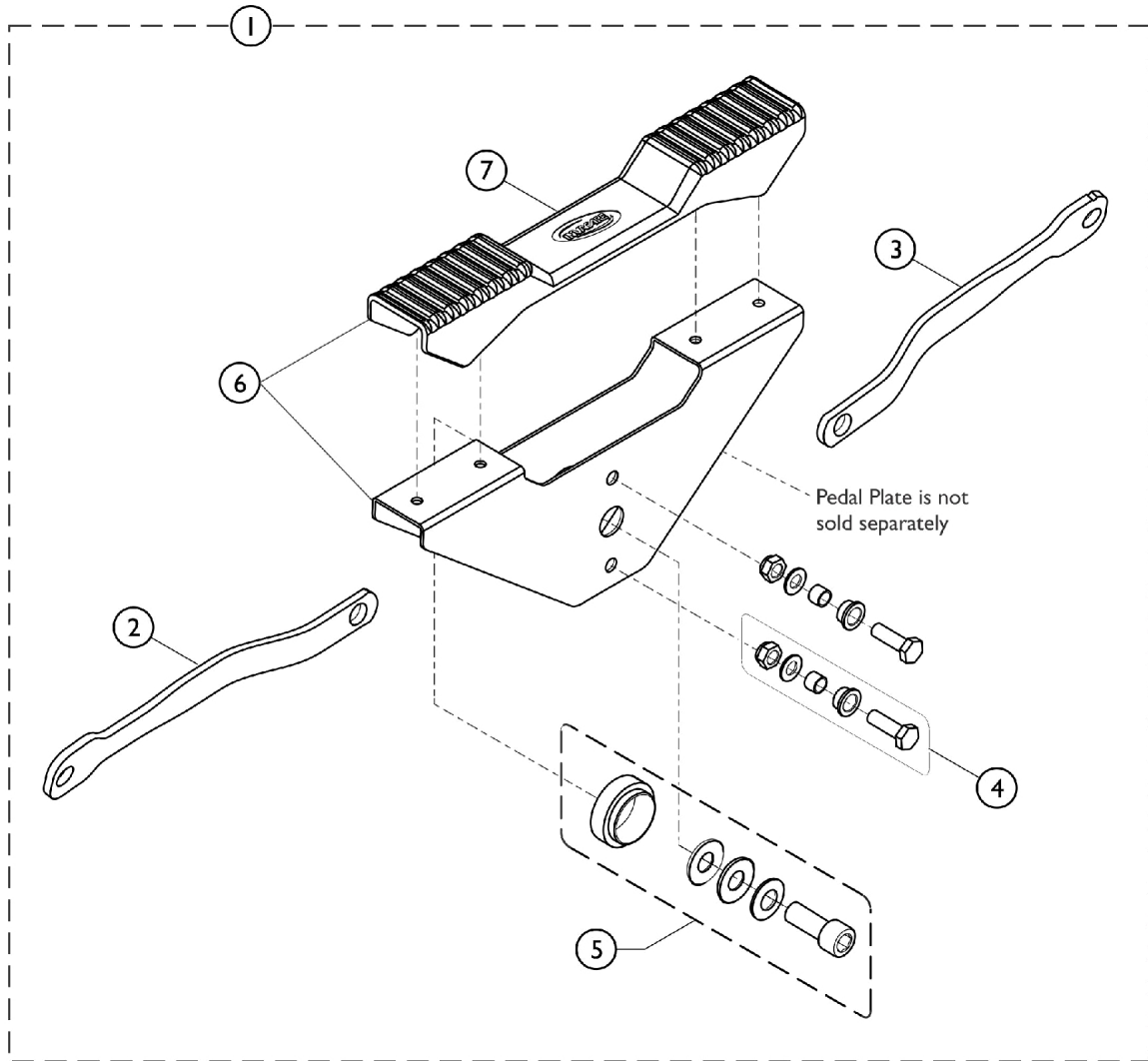


# Pedal Mechanism Assembly

## ISA COMPACT



ISPS1650729 ~ 1646185

SPT\_044A

## Pedal Mechanism Assembly ISA COMPACT

Item Number	Note	Part Number	Description	Quantity Per	
				Package	Assembly
1	A	SP1646185	Pedal Mechanism Assembly	1	1
2		SP1645791	Rod, Connecting - Left	1	1
3		SP1645790	Rod, Connecting w/ Dent - Right	1	1
4		SP1650840	Kit, Hardware, Pedal to Rod Connection	1	1
5		SP1650841	Kit, Hardware, Pedal to Base Connection	1	1
6		SP1650842	Kit, Pedal (Plate and Cover)	1	1
7	B	SP1645588	Cover, Pedal	1	1

NOTE: A - Includes items 2-6  
B - Plate is not sold separately.