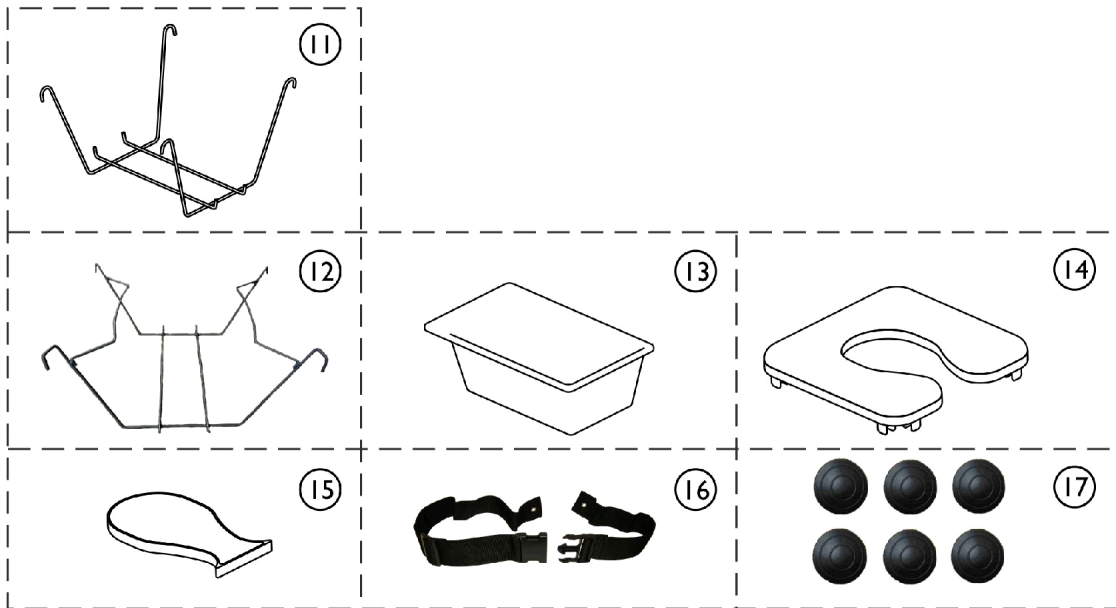
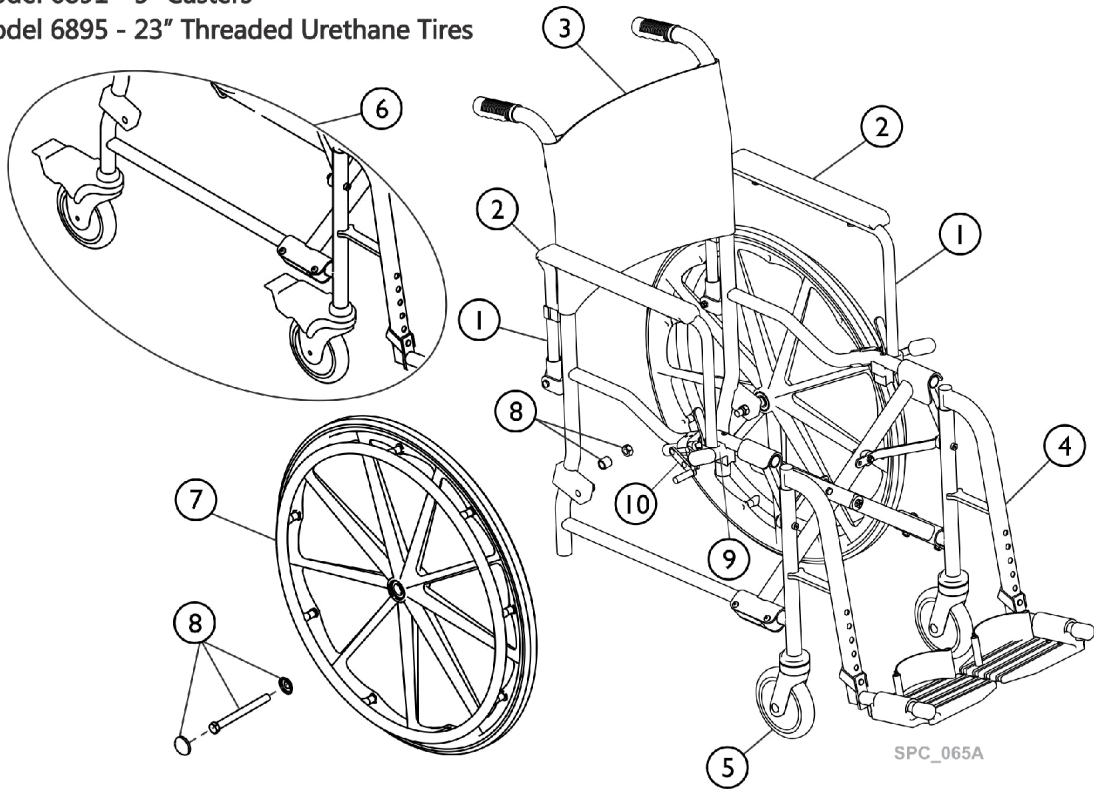


Rehab Shower/Commode (Mariner) Model 6795, 6891 and 6895

Model 6795 - 23" Threaded Urethane Tires

Model 6891 - 5" Casters

Model 6895 - 23" Threaded Urethane Tires



Rehab Shower/Commode (Mariner) Model 6795, 6891 and 6895

Item Number	Note	Part Number	Description	Quantity Per	
				Package	Assembly
1	A	1123712	Armrest Assembly, Padded - Right	1	1
1	A	1123713	Armrest Assembly, Padded - Left	1	1
2		1123709	Pad, Arm with Hardware	1	2
3		1123722	Upholstery, Back, Nylon w/ Attaching Hardware, 6795 (16")	1	1
3		1123723	Upholstery, Back, Nylon w/ Attaching Hardware, 6891 and 6895 (18")	1	1
4	C1,C2	1123716	Footrest Assembly, White - Right	1	1
4	C1,C2	1123717	Footrest Assembly, White - Left	1	1
5	G	1123705	Casters (5")	2	1
6	G	1123706	Casters with Brake (5")	2	1
7		1123707	Kit, Wheel w/ Handrim and Hardware (23")	1	2
8		1123708	Kit, Wheel Hardware (23")	1	2
9	F	1123710	Socket, Arm Holder and Hardware - Right	1	1
9	F	1123711	Socket, Arm Holder and Hardware - Left	1	1
10		1123714	Wheel Lock Assembly - Right	1	1
10		1123715	Wheel Lock Assembly - Left	1	1
11	D	1123703	Basket, Pail Holder	1	1
12	E	1541348	Basket, Pail Holder	1	1
13		13245X000	Pail, Commode, White	1	1
14		1123718	Padded Seat Assembly, Commode (16")	1	1
14		1123719	Padded Seat Assembly, Commode (18")	1	1
15		1123720	Plug, Seat, Commode, 6795 (16")	1	1
15		1123721	Plug, Seat, Commode, 6891 and 6895 (18")	1	1
16	B	1146548	Safety Position Seat Strap w/ Mounting Hardware	1	1
17		1119283-NLA	NLA - Package, Plastic Cap, Black	6	1

NOTE: A - Assembly complete with armpad, tube and attaching hardware.
B - Sold complete. Mounting Hardware not shown.
C1 - It is recommended to order in pairs for the following models with serial numbers before 13AYY000001 for 6891, 6895, 6795 or serial numbers without "YY" in the serial number.
C2 - Extension Range changed from 13"-18" to 12-1/4" - 17". Pivot Point was raised to prevent caster interference.
D - Use part number 1123703 for model 6795.
E - Use part number 1541348 for models 6891 and 6895.
F - Latch is no longer included with item #9. Order item #1 Arm Assembly that includes the Latch also.
G - Starting 2013 Caster Assembly changed from Black to Tan. For models manufactured before 2013 order 4 casters to match.