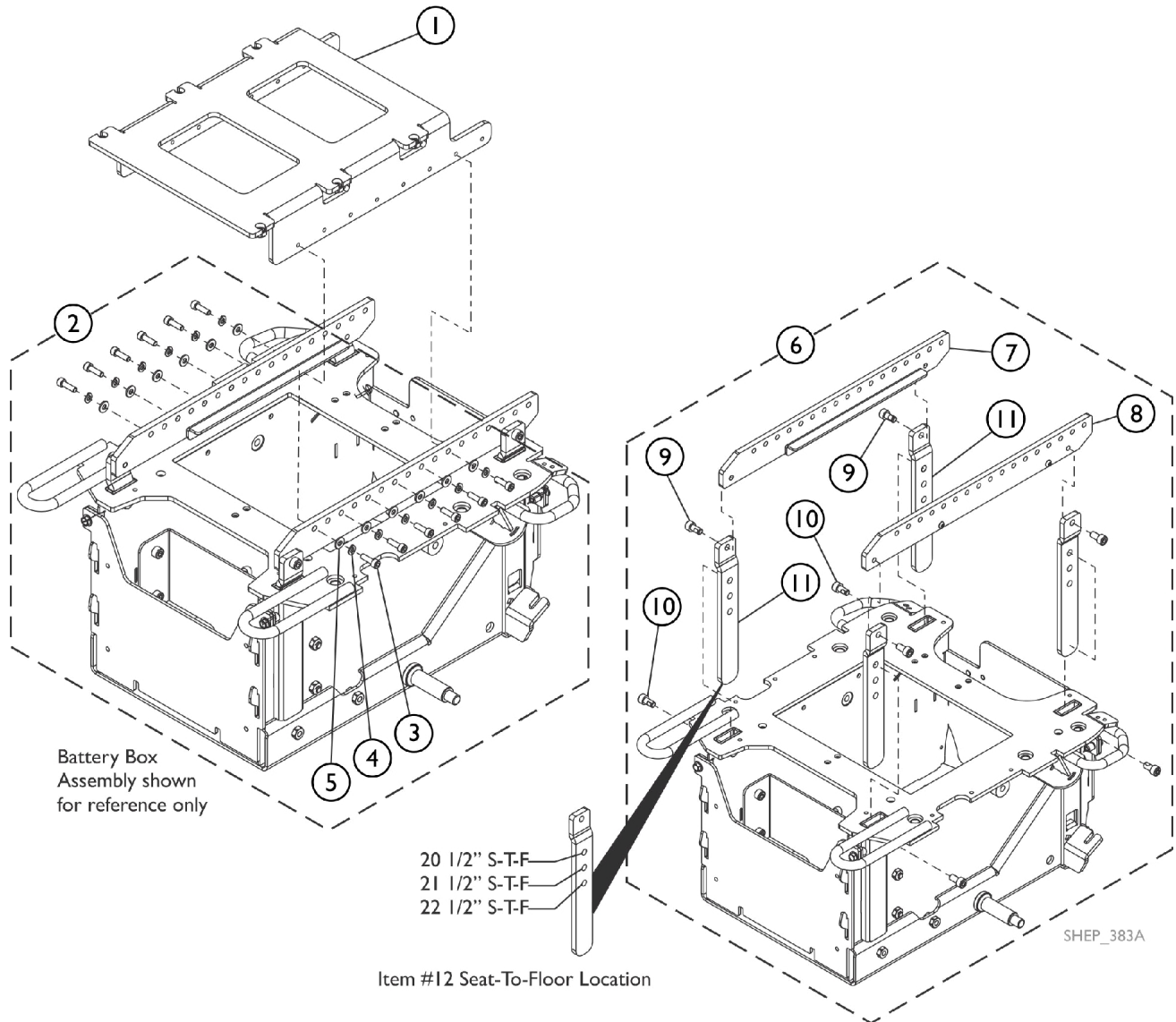


Captain Seat - "STANDARD" - Non-Elevate, Main System Mounting and Interface Hardware



Captain Seat - "STANDARD" - Non-Elevate, Main System Mounting and Interface Hardware

Item Number	Note	Part Number	Description	Quantity Per	
				Package	Assembly
1		60124944	Kit, Non Power Seat Mounting Bracket	1	1
2	A	60124363	Kit, Seat Mounting Hardware, Standard	1	1
3			Screw, Socket Head Cap (M6 x 1 x 20mm)	1	12
4			Washer, Split Lock, Black Zinc (M6)	1	12
5			Washer, Plain, Black Zinc (1/4 x 9/16 x 1/16")	1	12
			Sheet, Insert Parts Service	1	1
6	B	60124361	Kit, Seat Mounting Bracket Hardware, Standard	1	1
7			Seat Rail Mounting Bracket - Right	1	1
8			Seat Rail Mounting Bracket - Left	1	1
9			Screw, Socket Head Cap w/ Patch (M8 x 1.25 x 16mm)	1	4
10			Screw, Socket Head w/ Patch (M8 x 1.25 x 25mm)	1	4
11			Bracket, Vertical Seat Mounting	1	4
	Sheet, Insert Parts Service	1	1		

NOTE: A - Includes items 3-5
B - Includes items 7-11