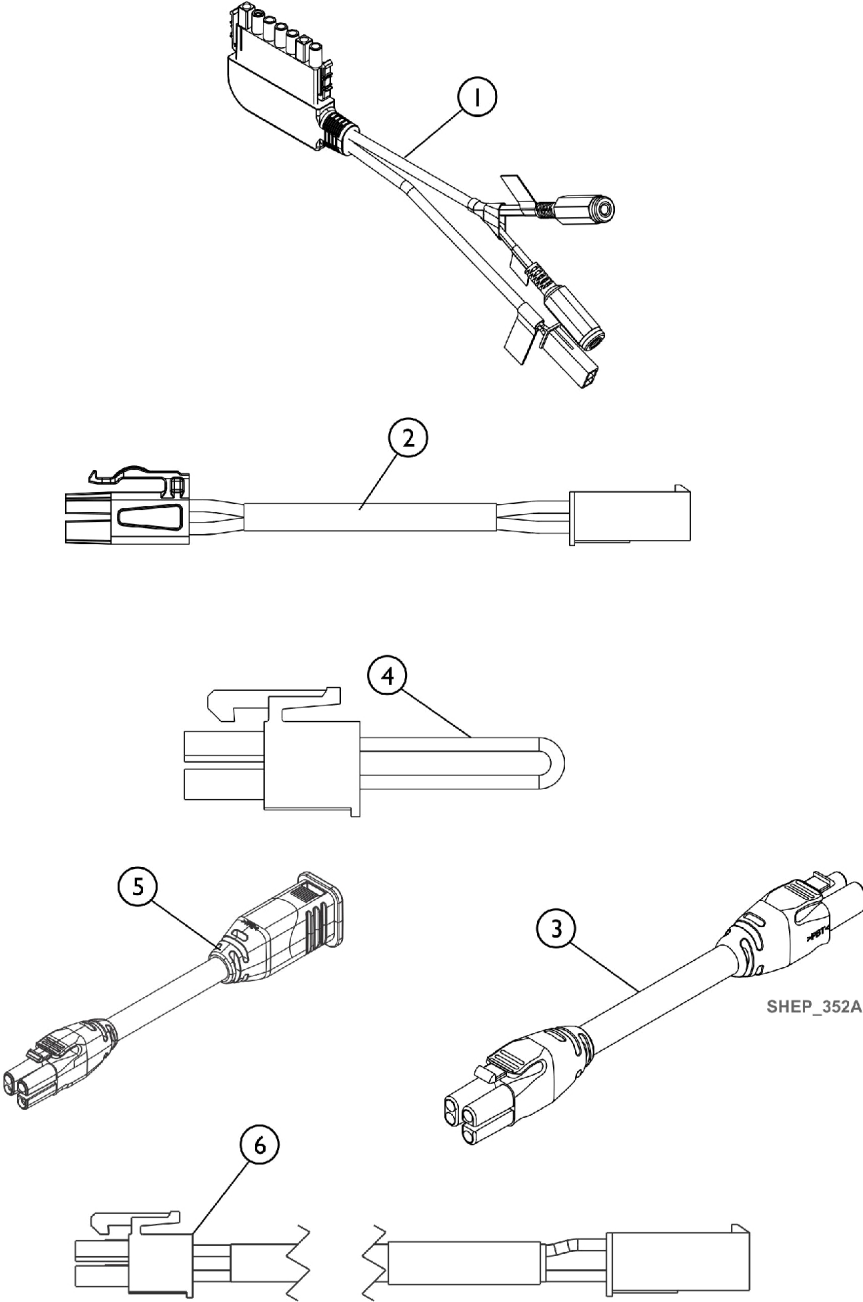


Cables - Bus (PWH), Adapter, Sensor, Actuator



Cables - Bus (PWH), Adapter, Sensor, Actuator

Item Number	Note	Part Number	Description	Quantity Per	
				Package	Assembly
1	A	60124381	Harness, Lift Sensor, Captain 420mm 16-17/32"	1	1
			Harness, Lift Sensor, Captain 420mm 16-17/32"	1	1
			Sheet, Insert Parts Service	1	1
2		60124378	Harness, Wire, TYCO-ACT 270mm 10-5/8"	1	1
			Harness, Wire, TYCO-ACT 270mm 10-5/8"	1	1
			Sheet, Insert Parts Service	1	1
3		60102536	Kit, LiNX Bus Cable (PWH) 1200mm 47-1/4" (GLM-BUS120)	1	1
			LiNX Bus Cable (PWH) 1200mm 47-1/4" (GLM-BUS120)	1	1
			Sheet, Insert Parts Service	1	1
3		60102531	Kit, LiNX Bus Cable (PWH) 1700mm 66-59/64" (GLM-BUS170)	1	1
			LiNX Bus Cable (PWH) 1700mm 66-59/64" (GLM-BUS170)	1	1
			Sheet, Insert Parts Service	1	1
4		60124959	Cable, Elevate Jumper, AVIVA FX 42.46mm 1-43/64"	1	1
			Cable, Elevate Jumper, AVIVA FX 42.46mm 1-43/64"	1	1
			Sheet, Insert Parts Service	1	1
5		60126412	Kit, LiNX Bus Extension Cable 640mm 25-13/64" (GLM-BUSEXT 064)	1	1
			LiNX Bus Extension Cable 640mm 25-13/64" (GLM-BUSEXT 064)	1	1
			Sheet, Insert Parts Service	1	1
6		60126413	Wire Harness Extension 100mm 3-15/16"	1	1
			Wire Harness Extension 100mm 3-15/16"	1	1
			Sheet, Insert Parts Service	1	1

NOTE: A - For a Non-Elevate Captain Seat item #1 requires a Jumper Cable as well. See item #4.

NOTE: Refer to the Wiring Diagrams for detail application and configurations of Cables and Harnesses located at www.invacare.com/homecare under Product Literature Search/ Service Manual. 60108795 "LiNX Control System, AVIVA FX", 60107431 "AVIVA FX Base", 60101900 "Captain Seat for Both AVIVA FX and TDXSP2".